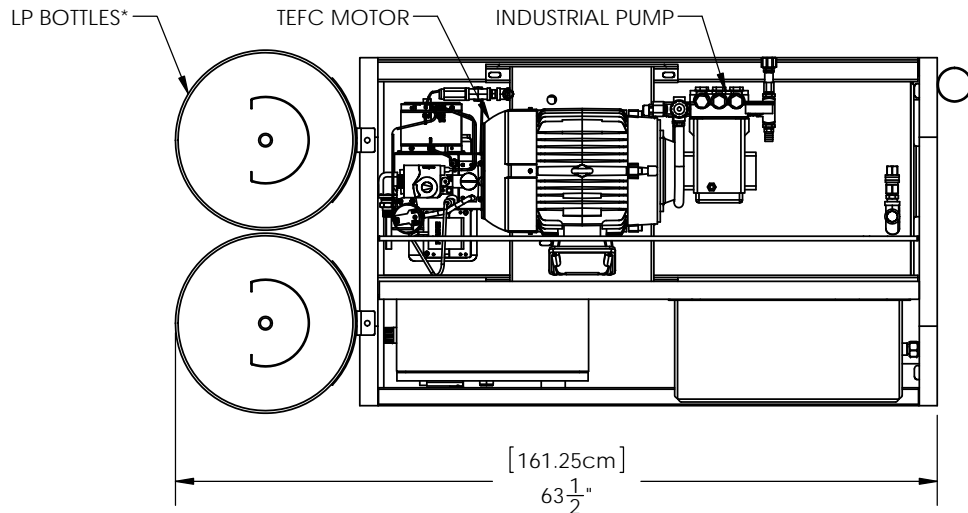


4

3

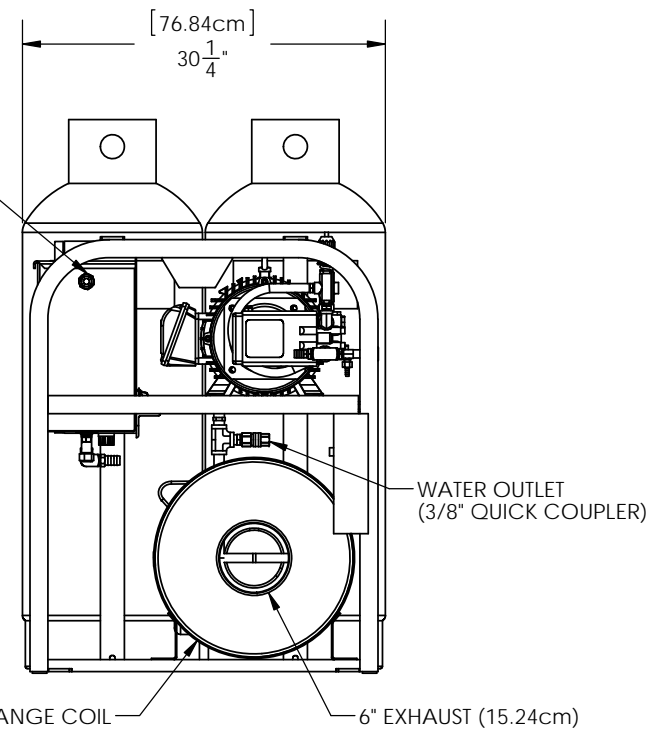
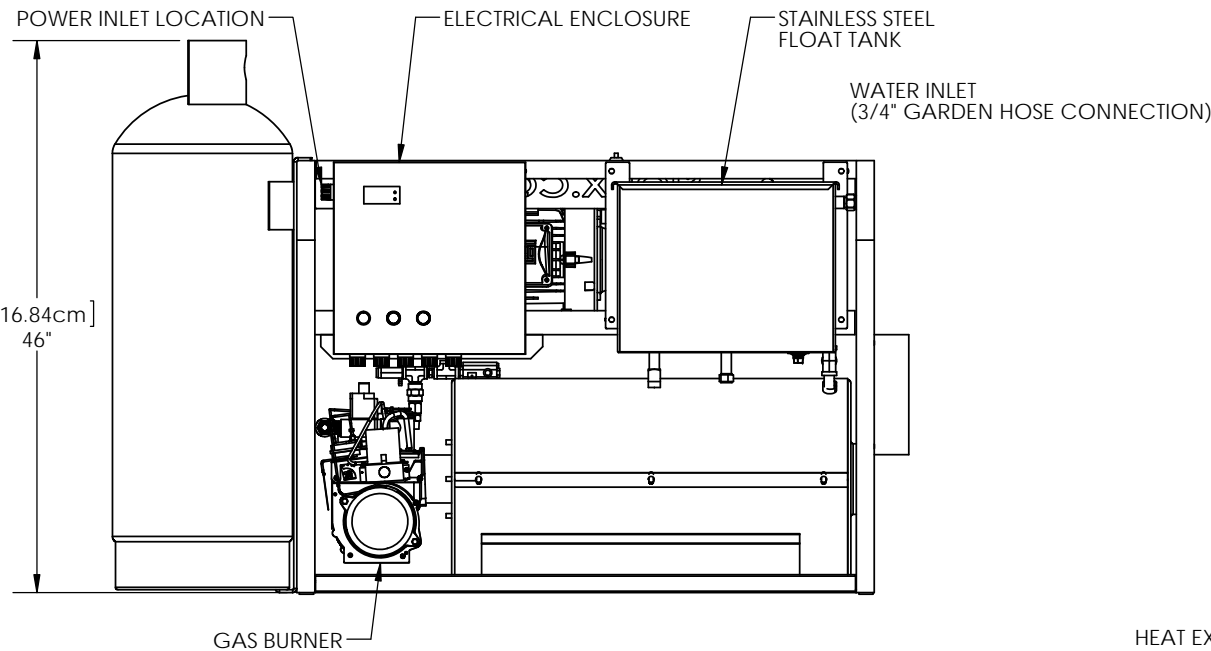
2

1



APPLICABLE MACHINES		
MODEL	APPROX. WEIGHT	
	LB	KG
60HZ UNITS		
S2L250	940	426
H3.8L2000	990	449
H4L2750	1090	494
50HZ UNITS		
S1.7L250	910	412
H3.2L1400	960	435
H3.3L2200	1060	480

NOTE:
CASTERS ADD 5" (12.70cm) TO HEIGHT
* LP BOTTLE NOT INCLUDED WITH PURCHASE



Copyright © 2010 SIOUX CORPORATION. This information is property of Sioux Corporation, is subject to recall at any time, and is not to be used in any way detrimental to Sioux's interest. Use of material is subject to the Terms of Website Use listed on the www.sioux.com website.

PROPRIETARY AND CONFIDENTIAL
THE INFORMATION CONTAINED IN THIS DRAWING IS THE SOLE PROPERTY OF SIOUX CORP. ANY REPRODUCTION IN PART OR AS A WHOLE WITHOUT WRITTEN PERMISSION OF SIOUX CORP IS PROHIBITED.

UNLESS NOTED:
DIMENSIONS
INCHES
TOLERANCES
LINEAR: ±.0625 [1/16]
ANGULAR: ±2°

DRN LC 07-22-14
CHK
OC
THIRD-ANGLE PROJECTION

SIOUX CORPORATION
ONE SIOUX PLAZA, BERESFORD, SD 57004
DAKOTA II C-FRAME MACHINES - PROPANE FIRED
FR20360-W-LP
SCALE 1:16
FILE
REV A-03 SH 1/1

4

3

1

DWG NO. FR20360-W-LP REV A-03 SHEET 1/1

DO NOT SCALE DRAWING

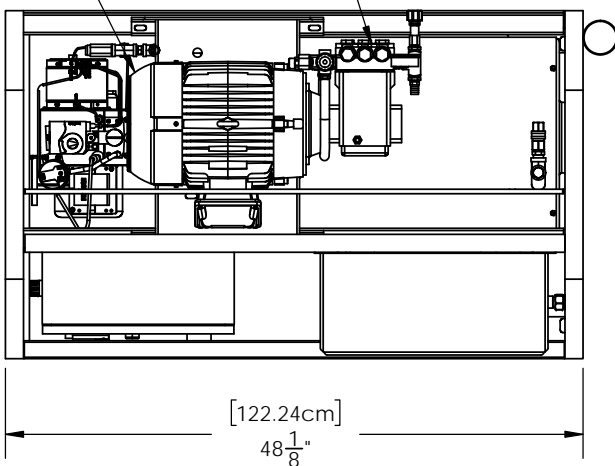
4

3

2

1

TEFC MOTOR INDUSTRIAL PUMP



APPLICABLE MACHINES		
MODEL	APPROX. WEIGHT	
	LB	KG
60HZ UNITS		
S2N250	940	426
H3.8N2000	990	449
H4N2750	1090	494
50HZ UNITS		
S1.7N250	910	412
H3.2N1400	960	435
H3.3N2200	1060	480

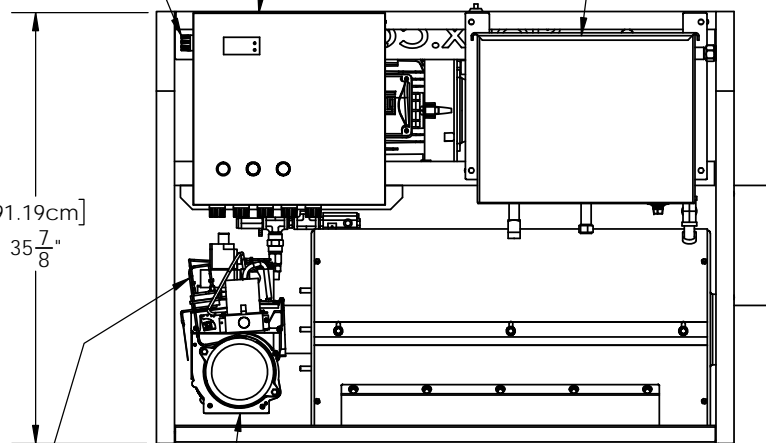
NOTE:
CASTERS ADD 5" (12.70cm) TO HEIGHT

POWER INLET LOCATION

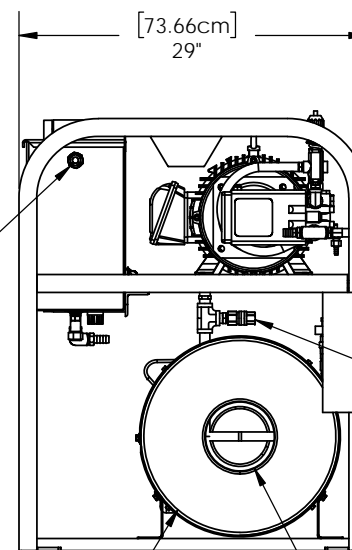
ELECTRICAL ENCLOSURE

STAINLESS STEEL FLOAT TANK

[91.19cm]
35 7/8"



WATER INLET
(3/4" GARDEN HOSE CONNECTION)



[73.66cm]
29"

WATER OUTLET
(3/8" QUICK COUPLER)

HEAT EXCHANGE COIL

6" EXHAUST (15.24cm)

3/4" GAS INLET

GAS BURNER

Copyright © 2010 SIOUX CORPORATION. This information is property of Sioux Corporation, is subject to recall at any time, and is not to be used in any way detrimental to Sioux's interest. Use of material is subject to the Terms of Website Use listed on the www.siuox.com website.

PROPRIETARY AND CONFIDENTIAL
 THE INFORMATION CONTAINED
 IN THIS DRAWING IS THE SOLE
 PROPERTY OF SIOUX CORP.
 ANY REPRODUCTION IN PART OR
 AS A WHOLE WITHOUT WRITTEN
 PERMISSION OF SIOUX CORP
 IS PROHIBITED.

UNLESS NOTED:
 DIMENSIONS
INCHES
 TOLERANCES
 LINEAR: ±.0625
 [1/16]
 ANGULAR: ±2°

DRN LC 07-22-14
 CHK
 OC
 THIRD-ANGLE PROJECTION

SIOUX CORPORATION

ONE SIOUX PLAZA, BERESFORD, SD 57004

DAKOTA II C-FRAME MACHINES - NATURAL GAS FIRED

THIRD-ANGLE PROJECTION SIZE A SCALE 1:16 FILE FR20360-W-NG

FR20360-W-NG REV A-03 SH 1/1

DO NOT SCALE DRAWING

4

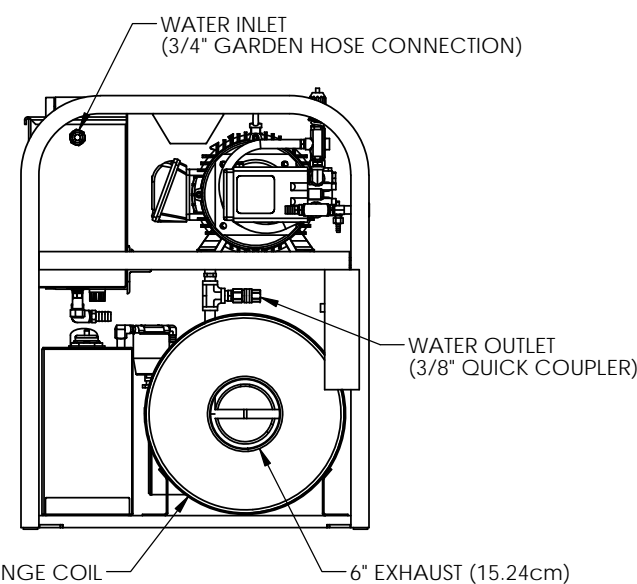
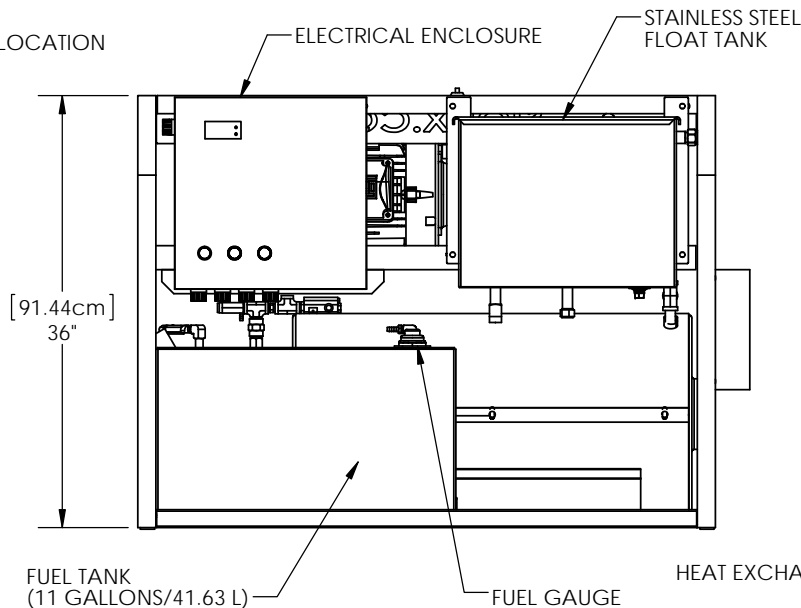
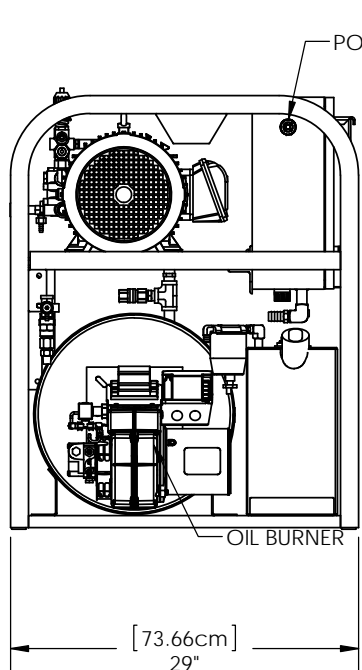
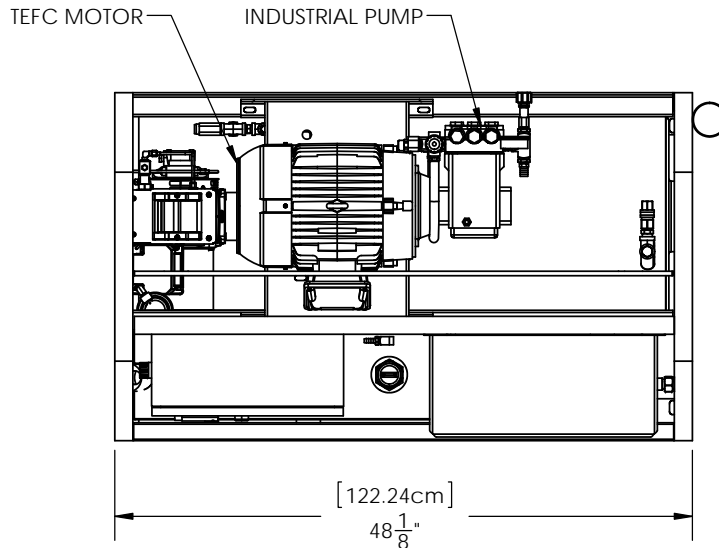
3

1

DWG NO. FR20360-W-NG REV. A-03 SHEET 1/1

APPLICABLE MACHINES		
MODEL	APPROX. WEIGHT	
	LB	KG
60HZ UNITS		
S2D250	630	286
H3.8D2000	680	309
H4D2750	780	355
50HZ UNITS		
S1.7D250	600	273
H3.2D1400	650	295
H3.3D2200	750	341

NOTE:
CASTERS ADD 5" (12.70cm) TO HEIGHT



Copyright © 2010 SIOUX CORPORATION. This information is property of Sioux Corporation, is subject to recall at any time, and is not to be used in any way detrimental to Sioux's interest. Use of material is subject to the Terms of Website Use listed on the www.siuox.com website.

PROPRIETARY AND CONFIDENTIAL
THE INFORMATION CONTAINED
IN THIS DRAWING IS THE SOLE
PROPERTY OF SIOUX CORP.
ANY REPRODUCTION IN PART OR
AS A WHOLE WITHOUT WRITTEN
PERMISSION OF SIOUX CORP
IS PROHIBITED.

UNLESS NOTED:
DIMENSIONS
INCHES
TOLERANCES
LINEAR: ±.0625
[1/16]
ANGULAR: ±2°

DRN LC 07-22-14
CHK
OC
THIRD-ANGLE PROJECTION

SIOUX CORPORATION
ONE SIOUX PLAZA, BERESFORD, SD 57004

DESCRIPTION

FR20360-W-OIL
FR20360-W-OIL
SCALE 1:16
FILE
REV A-03
SH 1/1

DO NOT SCALE DRAWING

DWG NO. FR20360-W-OIL REV. A-03 SHEET 1/1

APPLICABLE MACHINES		
MODEL	APPROX. WEIGHT	
	LB	KG
60HZ UNITS		
S4*250	1040	473
H5*3000	1190	541
H8*2750	1210	550
50HZ UNITS		
S3.3*250	1000	455
H4.2*2600	1140	518
H6.7*2200	1160	527

* L FOR LP GAS
N FOR NATURAL GAS

NOTE:
CASTERS ADD 7-1/2" (19.05cm) TO HEIGHT

TEFC MOTOR INDUSTRIAL PUMP

WATER OUTLET
(3/8" QUICK COUPLER)

[91.44cm]
36"

POWER INLET LOCATION

ELECTRICAL ENCLOSURE

STAINLESS STEEL
FLOAT TANK

WATER INLET
(3/4" GARDEN HOSE CONNECTION)

1" GAS INLET

[123.19cm]
48 1/2"

HEAT EXCHANGE COIL

8" EXHAUST (20.32cm)

[139.38cm]
54 7/8"

GAS BURNER

Copyright © 2010 SIOUX CORPORATION. This information is property of Sioux Corporation, is subject to recall at any time, and is not to be used in any way detrimental to Sioux's interest. Use of material is subject to the Terms of Website Use listed on the www.siuox.com website.

PROPRIETARY AND CONFIDENTIAL
THE INFORMATION CONTAINED
IN THIS DRAWING IS THE SOLE
PROPERTY OF SIOUX CORP.
ANY REPRODUCTION IN PART OR
AS A WHOLE WITHOUT WRITTEN
PERMISSION OF SIOUX CORP
IS PROHIBITED.

UNLESS NOTED:
DIMENSIONS
INCHES
TOLERANCES
LINEAR: ±.0625
[1/16]
ANGULAR: ±2°

DRN LC 07-23-14
CHK
OC
THIRD-ANGLE PROJECTION
SIZE A SCALE 1:20 FILE
FR20358-W-GAS

SIOUX CORPORATION

ONE SIOUX PLAZA, BERESFORD, SD 57004

DAKOTA II D-FRAME MACHINES - GAS FIRED

FR20358-W-GAS

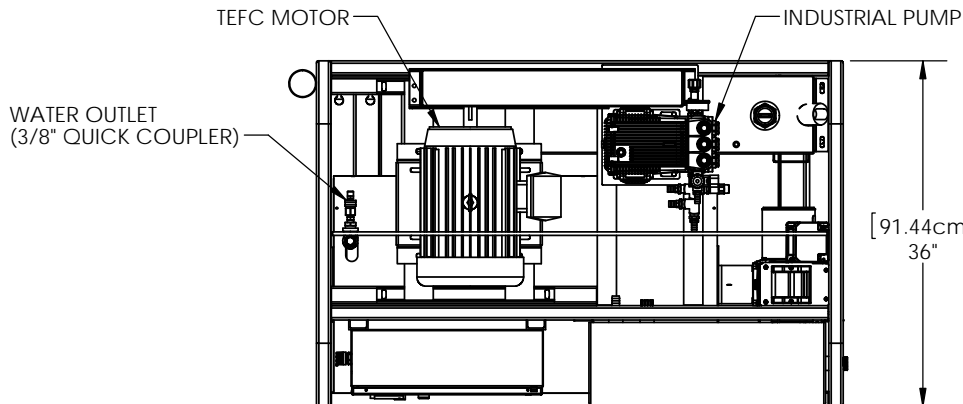
FR20358-W-GAS REV A-04

SH 1/1

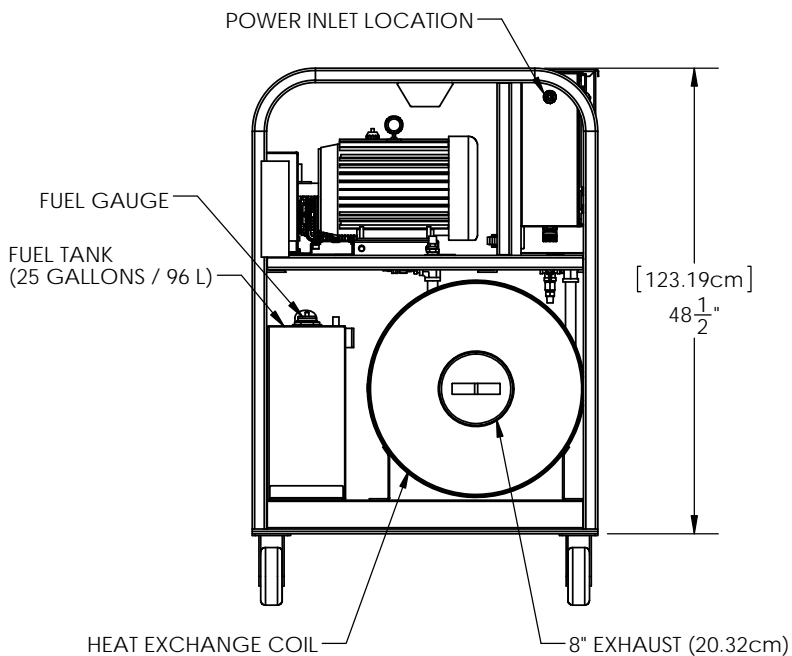
DWG NO. FR20358-W-GAS REV A-04 SHEET 1/1

APPLICABLE MACHINES		
MODEL	APPROX. WEIGHT	
	LB	KG
60HZ UNITS		
H5D3000	1190	541
H8D2750	1210	550
50HZ UNITS		
H4.2D2600	1140	518
H6.7D2200	1160	527

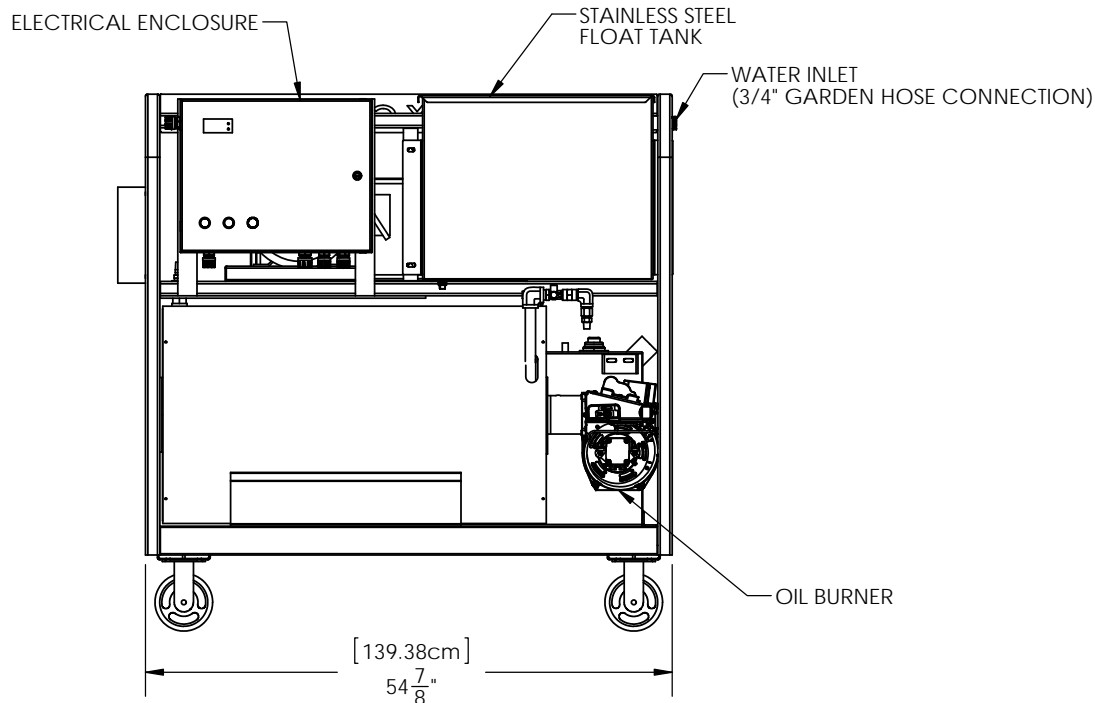
NOTE:
CASTERS ADD 7-1/2" (19.05cm) TO HEIGHT



[91.44cm]
36"



[123.19cm]
48 1/2"



[139.38cm]
54 7/8"

Copyright © 2010 SIOUX CORPORATION. This information is property of Sioux Corporation, is subject to recall at any time, and is not to be used in any way detrimental to Sioux's interest. Use of material is subject to the Terms of Website Use listed on the www.siuox.com website.

PROPRIETARY AND CONFIDENTIAL
THE INFORMATION CONTAINED
IN THIS DRAWING IS THE SOLE
PROPERTY OF SIOUX CORP.
ANY REPRODUCTION IN PART OR
AS A WHOLE WITHOUT WRITTEN
PERMISSION OF SIOUX CORP
IS PROHIBITED.

UNLESS NOTED:
DIMENSIONS
INCHES
TOLERANCES
LINEAR: ±.0625
[1/16]
ANGULAR: ±2°

DRN LC 07-23-14
CHK
OC
THIRD-ANGLE PROJECTION

SIOUX CORPORATION

ONE SIOUX PLAZA, BERESFORD, SD 57004

DAKOTA II D-FRAME MACHINES - OIL FIRED

THIRD-ANGLE PROJECTION SIZE A SCALE 1:20 FILE FR20358-W-OIL

FR20358-W-OIL REV A-05 SH 1/1

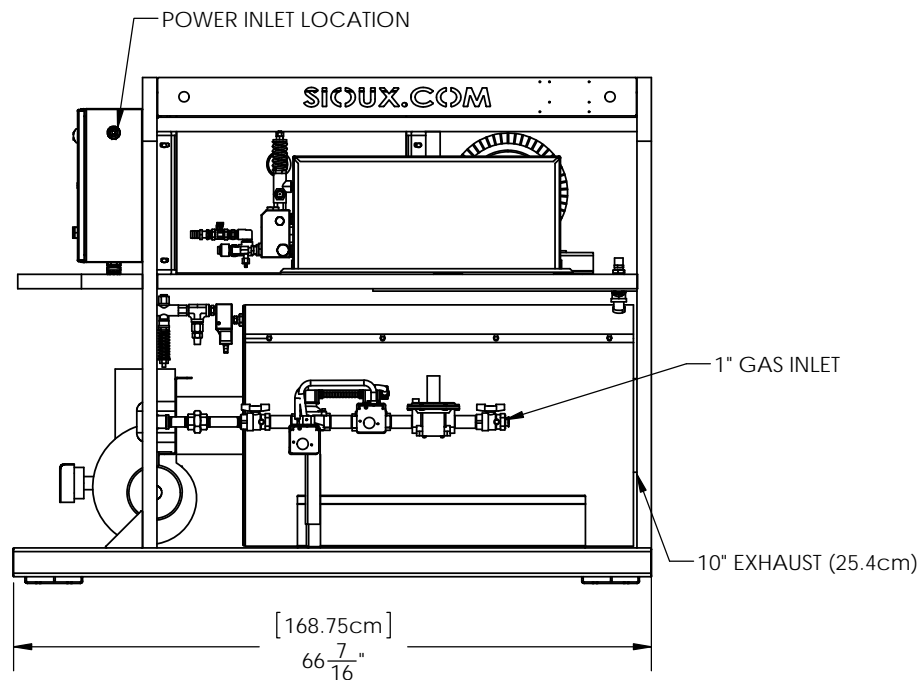
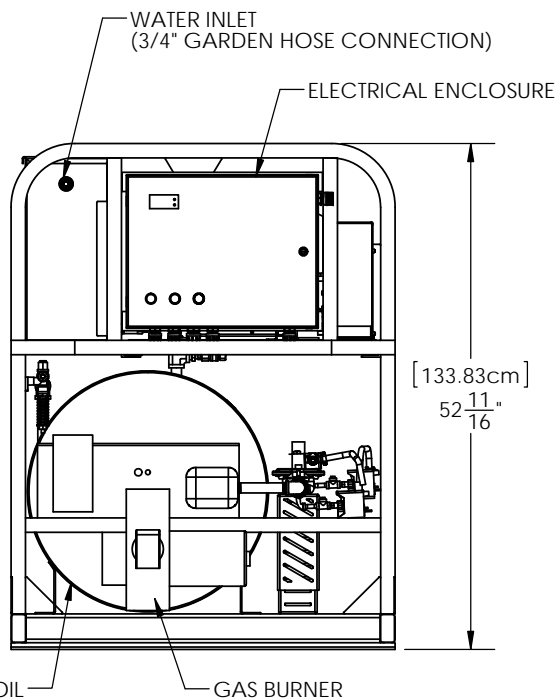
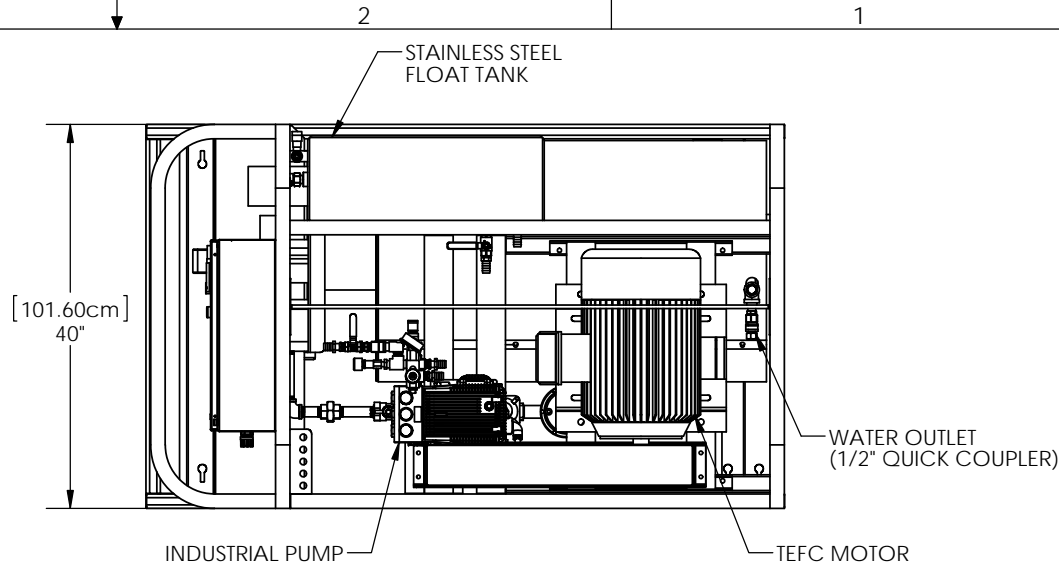
DO NOT SCALE DRAWING

DWG NO. FR20358-W-OIL REV A-05 SHEET 1/1

APPLICABLE MACHINES		
MODEL	APPROX. WEIGHT	
	LB	KG
60HZ UNITS		
S6*250	1290	585
H10*3000	1640	745
50HZ UNITS		
S5*250	1300	590
H8.3*2600	1630	739

* L FOR LP GAS
N FOR NATURAL GAS

NOTE:
CASTERS ADD 7-1/2" (19.05cm) TO HEIGHT



Copyright © 2010 SIOUX CORPORATION. This information is property of Sioux Corporation, is subject to recall at any time, and is not to be used in any way detrimental to Sioux's interest. Use of material is subject to the Terms of Website Use listed on the www.siuox.com website.

PROPRIETARY AND CONFIDENTIAL
THE INFORMATION CONTAINED
IN THIS DRAWING IS THE SOLE
PROPERTY OF SIOUX CORP.
ANY REPRODUCTION IN PART OR
AS A WHOLE WITHOUT WRITTEN
PERMISSION OF SIOUX CORP
IS PROHIBITED.

UNLESS NOTED:
DIMENSIONS
INCHES
TOLERANCES
LINEAR: ±.0625
[1/16]
ANGULAR: ±2°

DRN LC 07-23-14
CHK
OC
THIRD-ANGLE PROJECTION

SIOUX CORPORATION

ONE SIOUX PLAZA, BERESFORD, SD 57004

DAKOTA II E-FRAME MACHINES - GAS FIRED

THIRD-ANGLE PROJECTION SIZE A SCALE 1:20 FILE FR20359-W-GAS

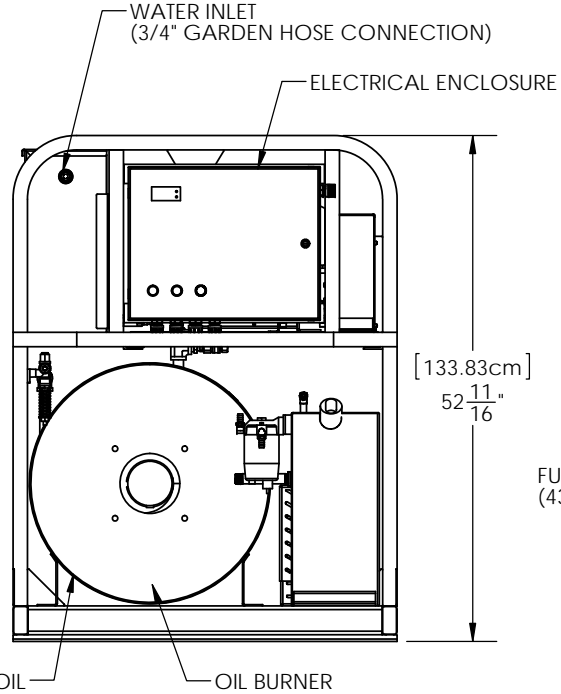
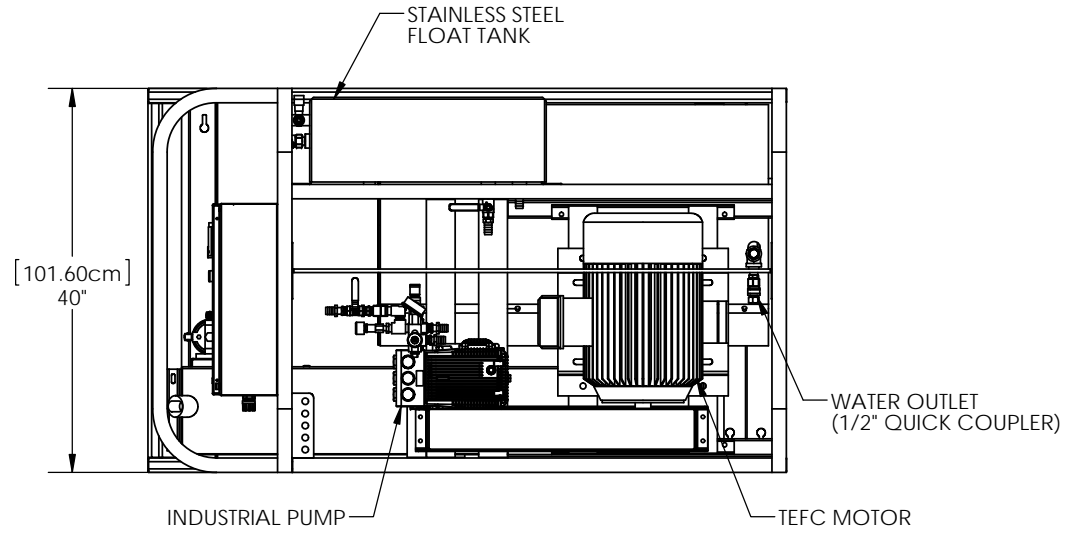
FR20359-W-GAS REV A-03 SH 1/1

DO NOT SCALE DRAWING

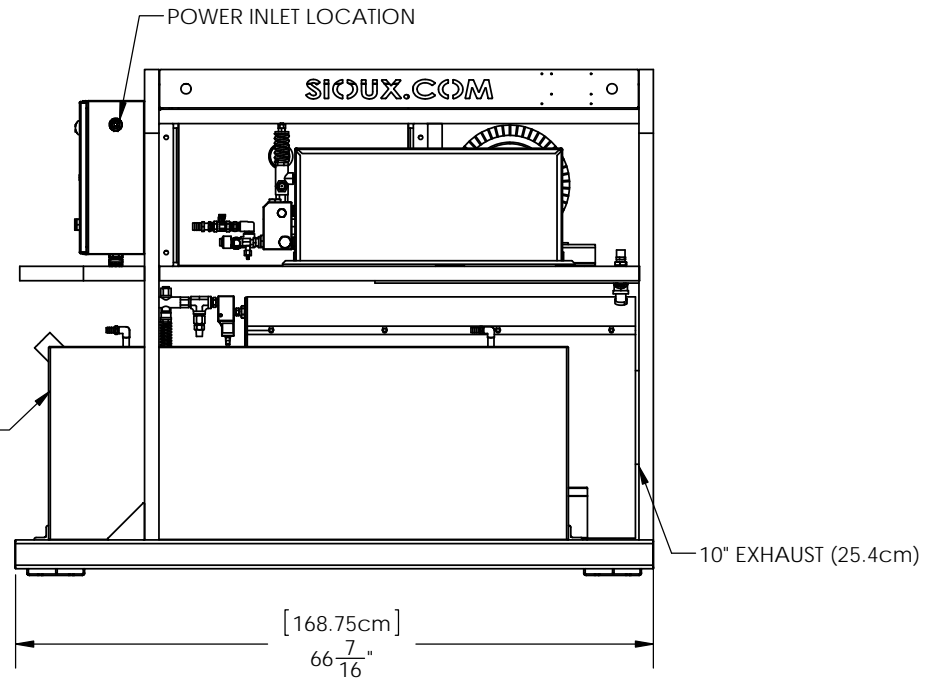
DWG NO. FR20359-W-GAS REV A-03 SHEET 1/1

APPLICABLE MACHINES		
MODEL	APPROX. WEIGHT	
	LB	KG
60HZ UNITS		
H10D3000	1700	771
50HZ UNITS		
H8.3D2600	1630	739

NOTE:
CASTERS ADD 7-1/2" (19.05cm) TO HEIGHT



[133.83cm]
52 ¹¹/₁₆"



[168.75cm]
66 ⁷/₁₆"

Copyright © 2010 SIOUX CORPORATION. This information is property of Sioux Corporation, is subject to recall at any time, and is not to be used in any way detrimental to Sioux's interest. Use of material is subject to the Terms of Website Use listed on the www.siuox.com website.

PROPRIETARY AND CONFIDENTIAL
THE INFORMATION CONTAINED IN THIS DRAWING IS THE SOLE PROPERTY OF SIOUX CORP. ANY REPRODUCTION IN PART OR AS A WHOLE WITHOUT WRITTEN PERMISSION OF SIOUX CORP IS PROHIBITED.

UNLESS NOTED:
DIMENSIONS
INCHES
TOLERANCES
LINEAR: ±.0625 [1/16]
ANGULAR: ±2°

DRN LC 07-23-14
CHK
OC
THIRD-ANGLE PROJECTION

SIOUX CORPORATION
ONE SIOUX PLAZA, BERESFORD, SD 57004

DAKOTA II E-FRAME MACHINES - OIL FIRED

THIRD-ANGLE PROJECTION SIZE A SCALE 1:20 FILE FR20359-W-OIL
FR20359-W-OIL REV A-04 SH 1/1

DWG NO: FR20359-W-OIL REV A-04 SHEET 1/1