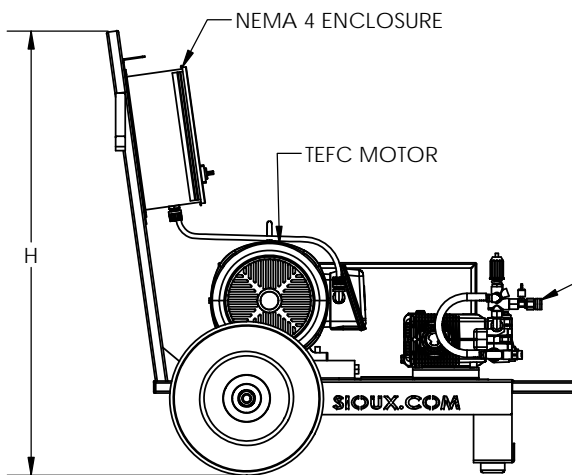
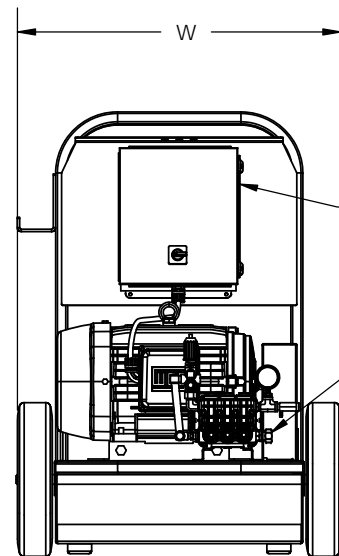


INDUSTRIAL PUMP

COLD WATER WASHER #2 FRAME NON-XP								
UNITS	WIDTH		LENGTH		HEIGHT		WEIGHT	
	IN	CM	IN	CM	IN	CM	LB	KG
C5.0E5000	35.8	90.9	49	124.5	47	119.4	425	192.8



WATER OUTLET  
(3/8" QUICK COUPLER)



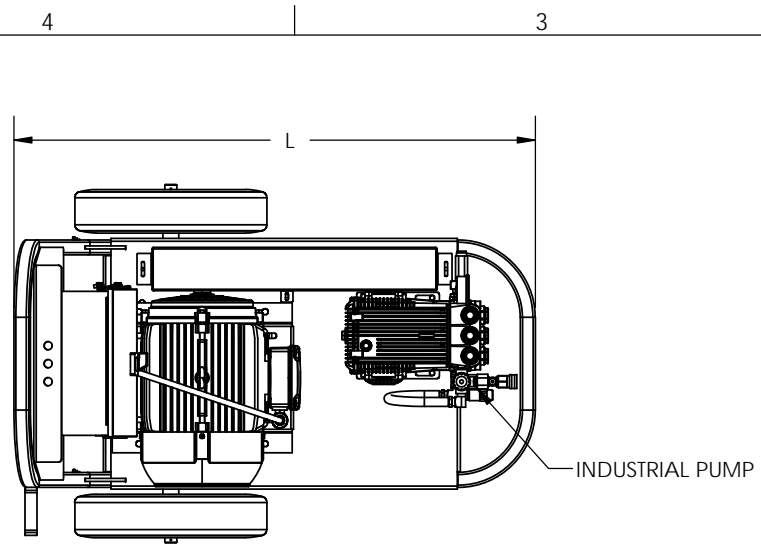
POWER INLET  
LOCATION

WATER INLET  
(3/4" GARDEN HOSE CONNECTION)

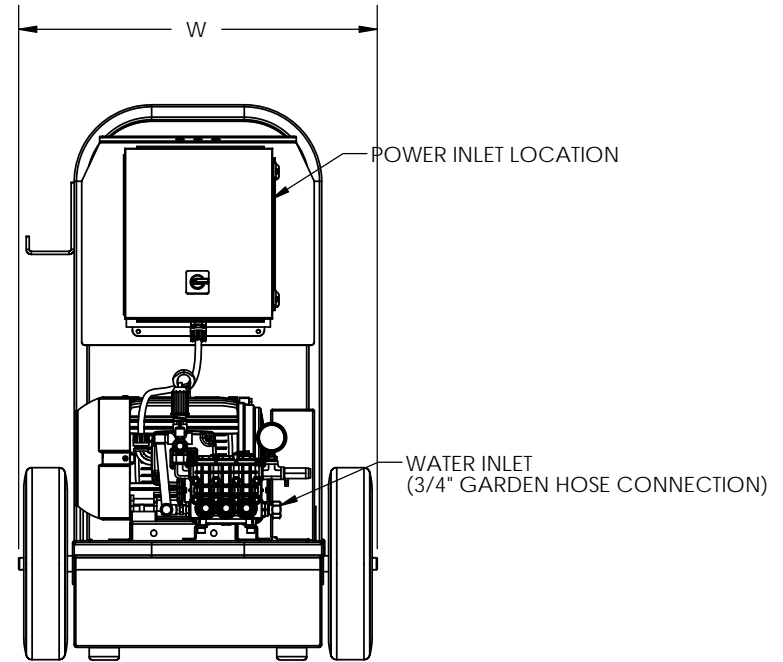
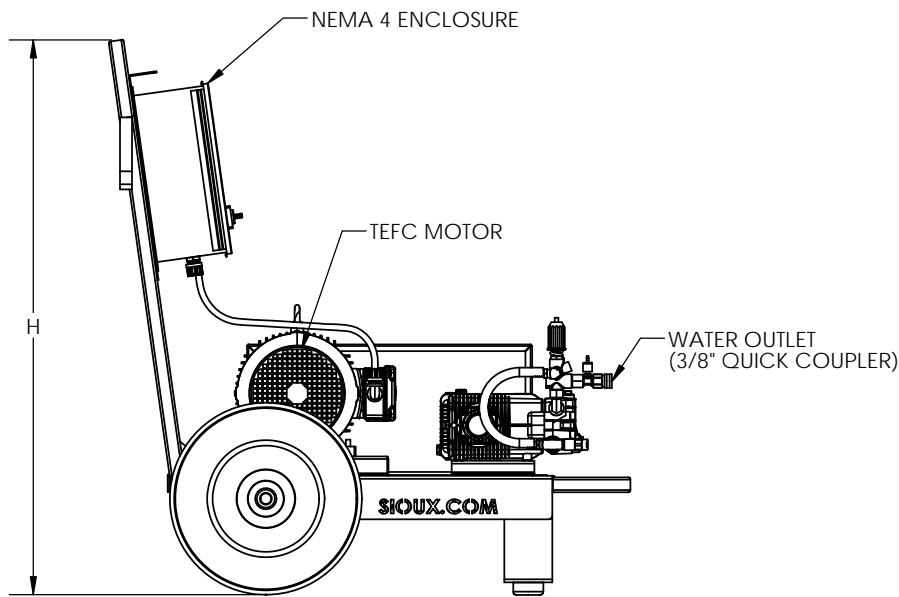
Copyright © 2010 SIOUX CORPORATION. This information is property of Sioux Corporation, is subject to recall at any time, and is not to be used in any way detrimental to Sioux's interest. Use of material is subject to the Terms of Website Use listed on the www.siuox.com website.

<b>PROPRIETARY AND CONFIDENTIAL</b> THE INFORMATION CONTAINED IN THIS DRAWING IS THE SOLE PROPERTY OF SIOUX CORP. ANY REPRODUCTION IN PART OR AS A WHOLE WITHOUT WRITTEN PERMISSION OF SIOUX CORP IS PROHIBITED.  DO NOT SCALE DRAWING	UNLESS NOTED: DIMENSIONS	DRN LN 4/30/14	<b>SIOUX CORPORATION</b> ONE SIOUX PLAZA, BERESFORD, SD 57004		
	<b>INCHES</b>	CHK			C5.0E5000
	TOLERANCES	THIRD-ANGLE PROJECTION	SIZE A	SCALE 1:4	FILE FR21155-W CWW NON-XP FRAME#2
	LINEAR: ±.0625 [1/16] ANGULAR: ±2°		<b>FR21155</b>	REV <b>A-03</b>	SH 1/1

DWG NO: FR21155  
 REV: A-03  
 SHEET: 1/1



ELECTRIC COLD WATER WASHER #1 FRAME								
UNITS	WIDTH		LENGTH		HEIGHT		WEIGHT	
	IN	CM	IN	CM	IN	CM	LB	KG
C5.0E1200	31	78.75	44	111.76	47	119.38	315	142.88
C5.0E1800	31	78.75	44	111.76	47	119.38	345	156.49
C5.0E3000	31	78.75	44	111.76	47	119.38	365	165.56



Copyright © 2010 SIOUX CORPORATION. This information is property of Sioux Corporation, is subject to recall at any time, and is not to be used in any way detrimental to Sioux's interest. Use of material is subject to the Terms of Website Use listed on the www.siuox.com website.

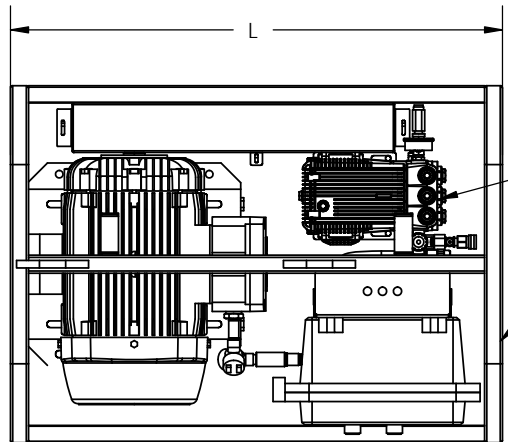
<b>PROPRIETARY AND CONFIDENTIAL</b> THE INFORMATION CONTAINED IN THIS DRAWING IS THE SOLE PROPERTY OF SIOUX CORP. ANY REPRODUCTION IN PART OR AS A WHOLE WITHOUT WRITTEN PERMISSION OF SIOUX CORP IS PROHIBITED.  DO NOT SCALE DRAWING	UNLESS NOTED: DIMENSIONS	DRN LN 4/29/14	<b>SIOUX CORPORATION</b> ONE SIOUX PLAZA, BERESFORD, SD 57004		
	<b>INCHES</b>	CHK			COLD WATER WASHER NON-XP #1
	TOLERANCES	OC	SIZE A	SCALE 1:16	FILE FR21154 CWW NON-XP FRAME#1
	LINEAR: ±.0625 [1/16] ANGULAR: ±2°	THIRD-ANGLE PROJECTION			FR21154-W REV A-04 SH 1/1

DWG NO: FR21154-W  
 REV: A-04  
 SHEET: 1/1

4 3 2 1

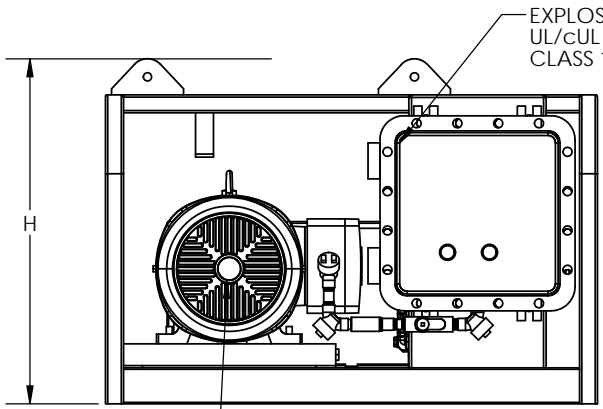
COLD WATER WASHER #2 FRAME XP								
UNITS	WIDTH		LENGTH		HEIGHT		WEIGHT	
	IN	CM	IN	CM	IN	CM	LB	KG
C5.0E5000-XP	29.75	75.6	41	104.2	28.75	73	700	317.5

NOTE: CASTERS ADD 6" (15.24 CM) TO HEIGHT



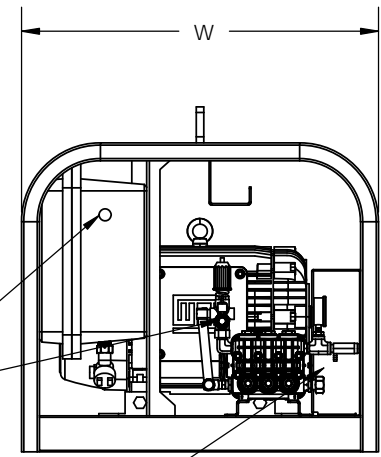
INDUSTRIAL PUMP

NOTE: MAINTENANCE REQUIRES 2' MIN. ON ALL SIDES



EXPLOSION PROOF ENCLOSURE:  
UL/cUL CERTIFIED FOR USE IN  
CLASS 1 DIV.1 GROUP C&D

MOTOR:  
CLASS I GROUP C,D  
CLASS II GROUP F,G



POWER INLET  
LOCATION

WATER OUTLET  
(3/8" QUICK COUPLER)

WATER INLET  
(3/4" GARDEN HOSE CONNECTION)

Copyright © 2010 SIOUX CORPORATION. This information is property of Sioux Corporation, is subject to recall at any time, and is not to be used in any way detrimental to Sioux's interest. Use of material is subject to the Terms of Website Use listed on the www.siuox.com website.

<b>PROPRIETARY AND CONFIDENTIAL</b> THE INFORMATION CONTAINED IN THIS DRAWING IS THE SOLE PROPERTY OF SIOUX CORP. ANY REPRODUCTION IN PART OR AS A WHOLE WITHOUT WRITTEN PERMISSION OF SIOUX CORP IS PROHIBITED.  DO NOT SCALE DRAWING	UNLESS NOTED:	DRN LN 4/30/14	<b>SIOUX CORPORATION</b> ONE SIOUX PLAZA, BERESFORD, SD 57004  C5.0E5000-XP			
	DIMENSIONS	CHK				FR21153-W CWW XP FRAME#2
	INCHES	OC	THIRD-ANGLE PROJECTION	SIZE A	SCALE 1:16	FILE
	TOLERANCES					
	LINEAR: ±.0625 [1/16]					
	ANGULAR: ±2°					

FR21153-W REV A-04 SH 1/1

D  
C  
B  
A

D  
C  
B  
A

FR21153-W A-04 1/1

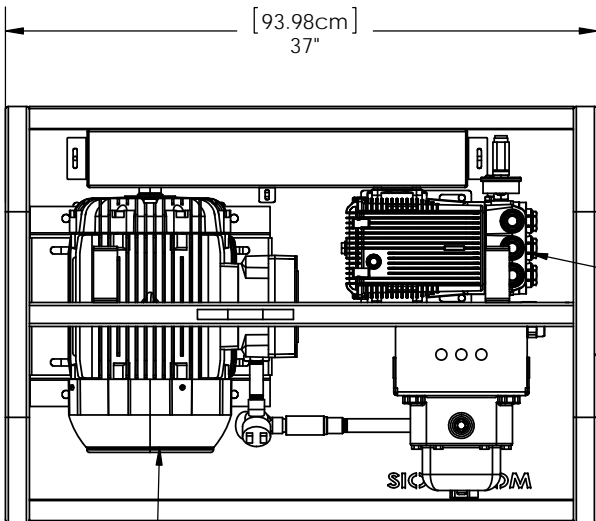
4

3

2

1

[93.98cm]  
37"



INDUSTRIAL PUMP

NOTE:  
MAINTENANCE REQUIRES 2' MIN. ON ALL SIDES

MOTOR:  
CLASS I GROUP C,D  
CLASS II GROUP F,G

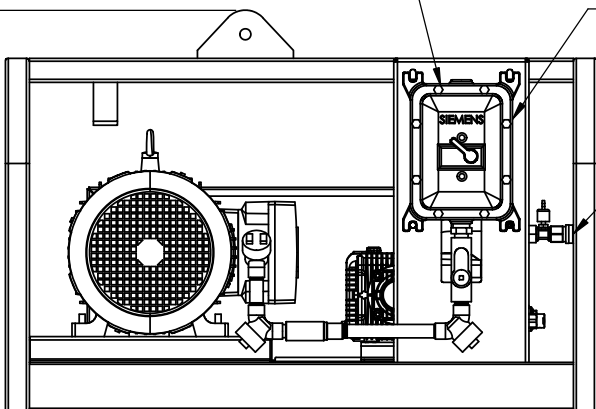
APPLICABLE MACHINES

MODEL	APPROX. WEIGHT	
	LB	KG
C5.0E1200-XP	380	172.4
C5.0E1800-XP	395	179.2
C5.0E3000-XP	415	188.2

NOTE: CASTERS ADD 6" (15.24 CM) TO HEIGHT

EXPLOSION PROOF ENCLOSURE:  
UL/cUL CERTIFIED FOR USE IN  
CLASS 1 DIV.1 GROUP C&D

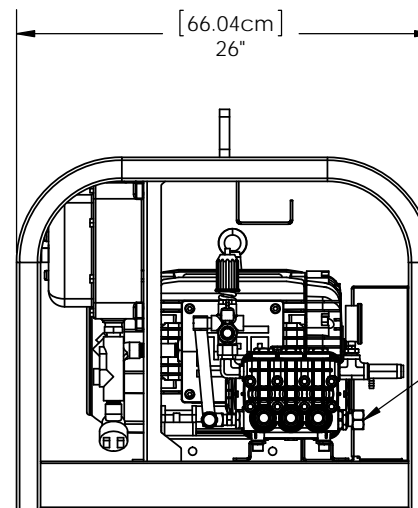
[63.50cm]  
25"



POWER INLET  
LOCATION

WATER OUTLET  
(3/8" QUICK COUPLER)

[66.04cm]  
26"



WATER INLET  
(3/4" GARDEN HOSE CONNECTION)

Copyright © 2010 SIOUX CORPORATION. This information is property of Sioux Corporation, is subject to recall at any time, and is not to be used in any way detrimental to Sioux's interest. Use of material is subject to the Terms of Website Use listed on the www.siuox.com website.

PROPRIETARY AND CONFIDENTIAL  
THE INFORMATION CONTAINED  
IN THIS DRAWING IS THE SOLE  
PROPERTY OF SIOUX CORP.  
ANY REPRODUCTION IN PART OR  
AS A WHOLE WITHOUT WRITTEN  
PERMISSION OF SIOUX CORP  
IS PROHIBITED.

UNLESS NOTED:  
DIMENSIONS  
**INCHES**  
TOLERANCES  
LINEAR: ±.0625  
[1/16]  
ANGULAR: ±2°

DRN LN 4/29/14  
CHK  
OC  
THIRD-ANGLE PROJECTION

**SIOUX CORPORATION**

ONE SIOUX PLAZA, BERESFORD, SD 57004

EXPLOSION PROOF COLD WATER WASHER - FRAME #1

FR21152-W CWW XP FRAME #1

FR21152-W

REV A-04

SH 1/1

4

3

1

DWG NO: FR21152-W REV: A-04 SHEET: 1/1

D

C

B

A

D

C

DWG NO: FR21152-W REV: A-04 SHEET: 1/1

A