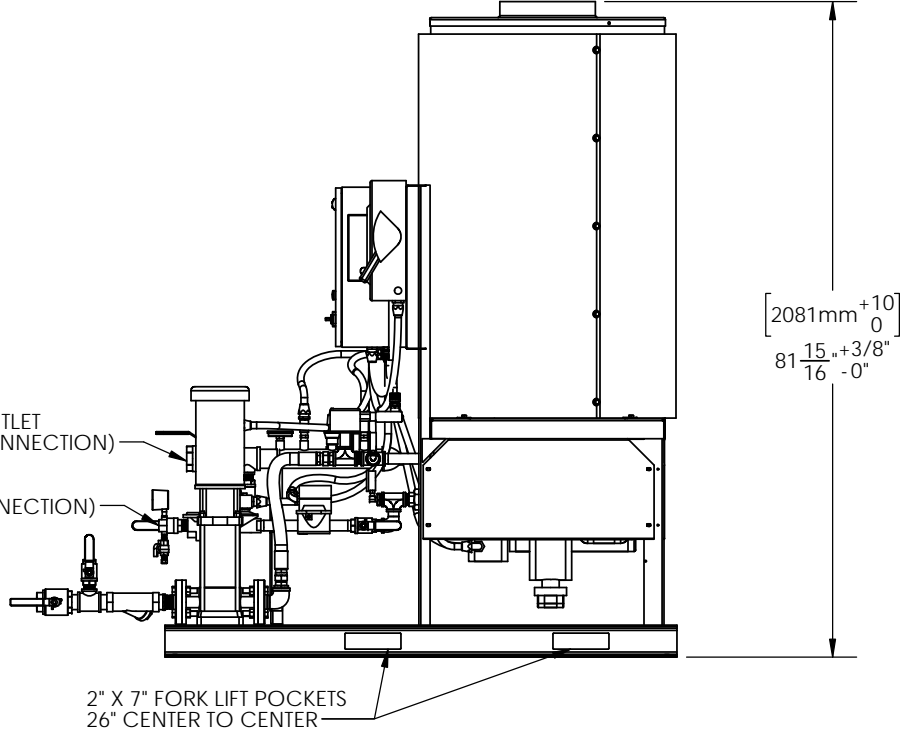
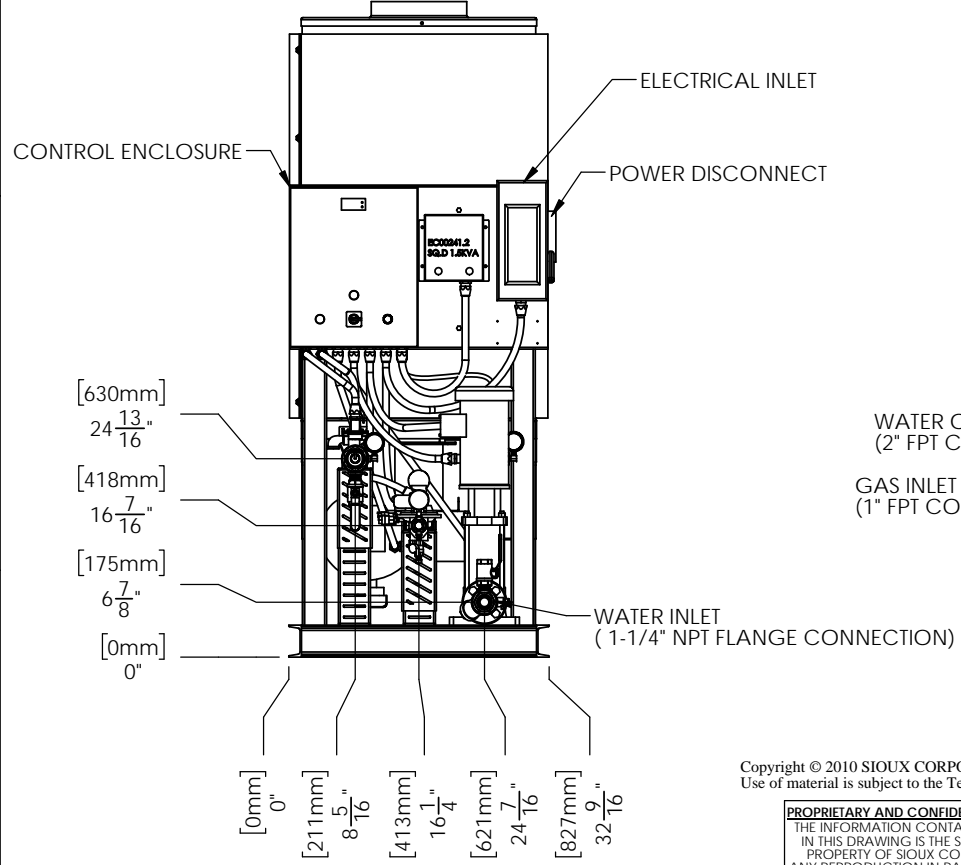
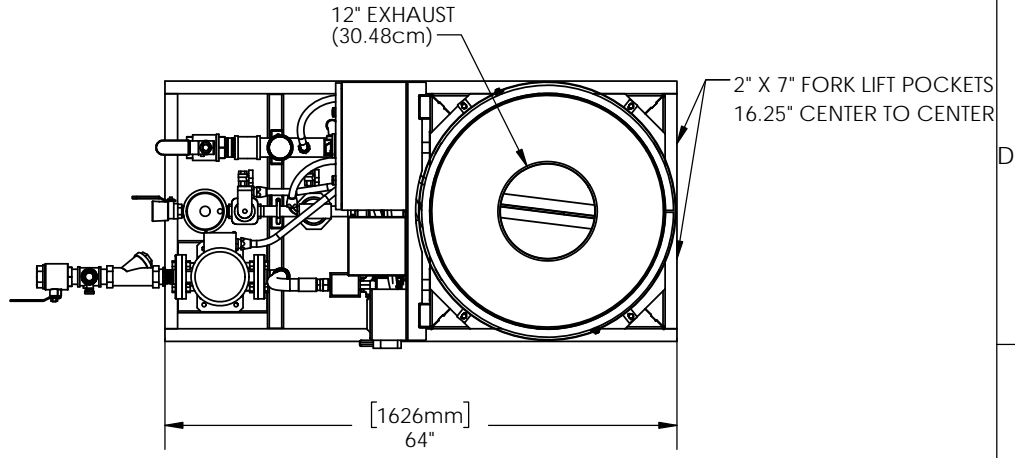


APPLICABLE MACHINES		
MODEL	APPROX. WEIGHT	
	LB	KG
M-1 GAS WATER HEATER	1500	680

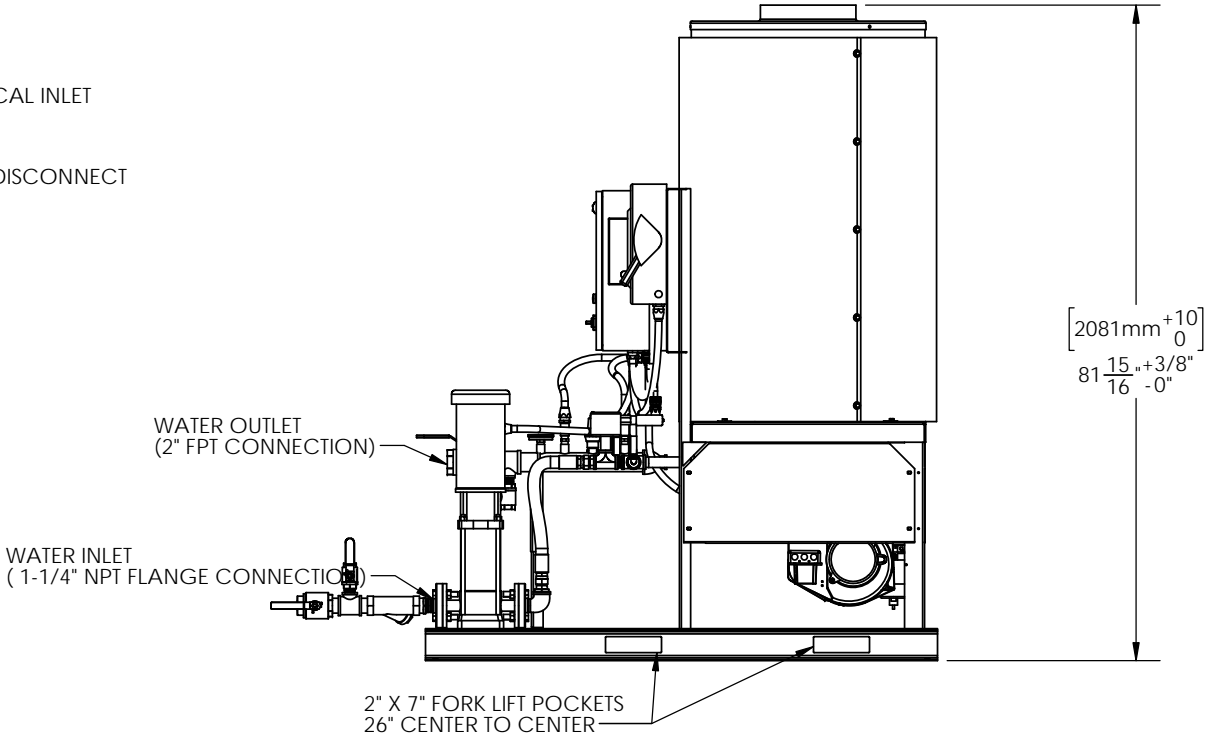
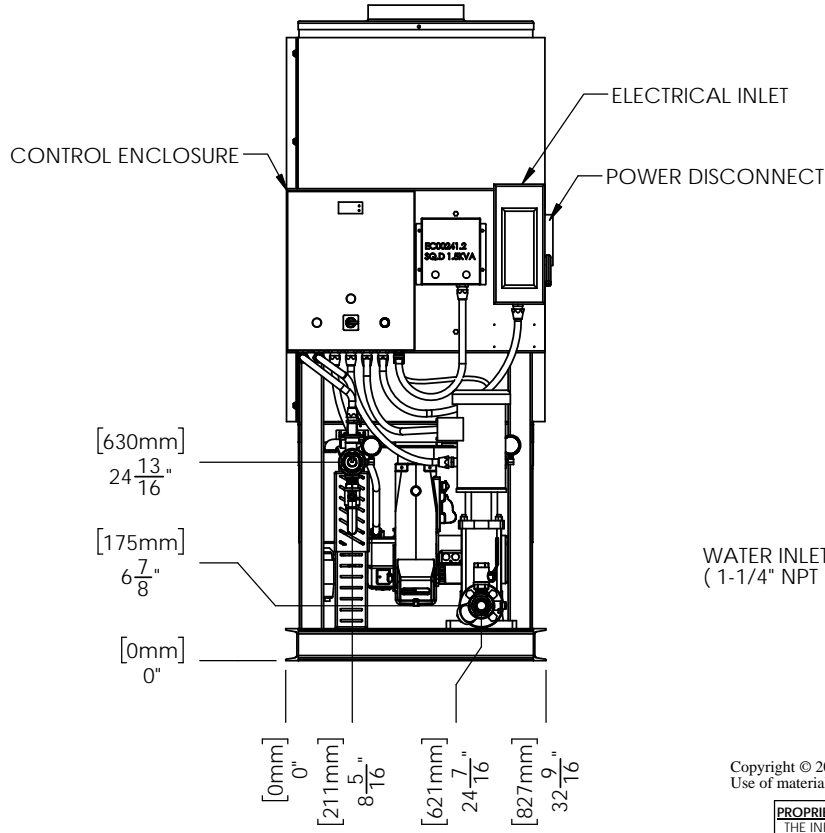
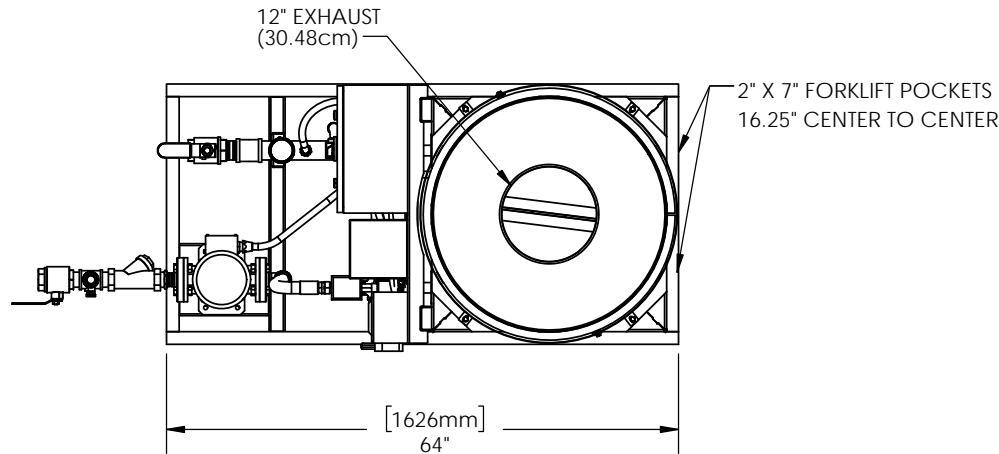


Copyright © 2010 SIOUX CORPORATION. This information is property of Sioux Corporation, is subject to recall at any time, and is not to be used in any way detrimental to Sioux's interest. Use of material is subject to the Terms of Website Use listed on the www.siuox.com website.

PROPRIETARY AND CONFIDENTIAL THE INFORMATION CONTAINED IN THIS DRAWING IS THE SOLE PROPERTY OF SIOUX CORP. ANY REPRODUCTION IN PART OR AS A WHOLE WITHOUT WRITTEN PERMISSION OF SIOUX CORP IS PROHIBITED.	UNLESS NOTED: DIMENSIONS	DRN LC 07-29-14	SIOUX CORPORATION ONE SIOUX PLAZA, BERESFORD, SD 57004			
	INCHES	CHK				M-1 WATER HEATER - GAS FIRED
	TOLERANCES	OC	THIRD-ANGLE PROJECTION	SIZE A	SCALE 1:24	
	DO NOT SCALE DRAWING	LINEAR: ± 0.025 [1/16] ANGULAR: $\pm 2^\circ$		SA20402-W-M-1-GAS	REV A-03	SH 1/1

DWG NO: SA20402-W-M-1-GAS
 REV: A-03
 SHEET: 1/1

APPLICABLE MACHINES		
MODEL	APPROX. WEIGHT	
	LB	KG
M-1 OIL WATER HEATER	1500	680



Copyright © 2010 SIOUX CORPORATION. This information is property of Sioux Corporation, is subject to recall at any time, and is not to be used in any way detrimental to Sioux's interest. Use of material is subject to the Terms of Website Use listed on the www.siuox.com website.

PROPRIETARY AND CONFIDENTIAL
 THE INFORMATION CONTAINED IN THIS DRAWING IS THE SOLE PROPERTY OF SIOUX CORP. ANY REPRODUCTION IN PART OR AS A WHOLE WITHOUT WRITTEN PERMISSION OF SIOUX CORP IS PROHIBITED.

DO NOT SCALE DRAWING

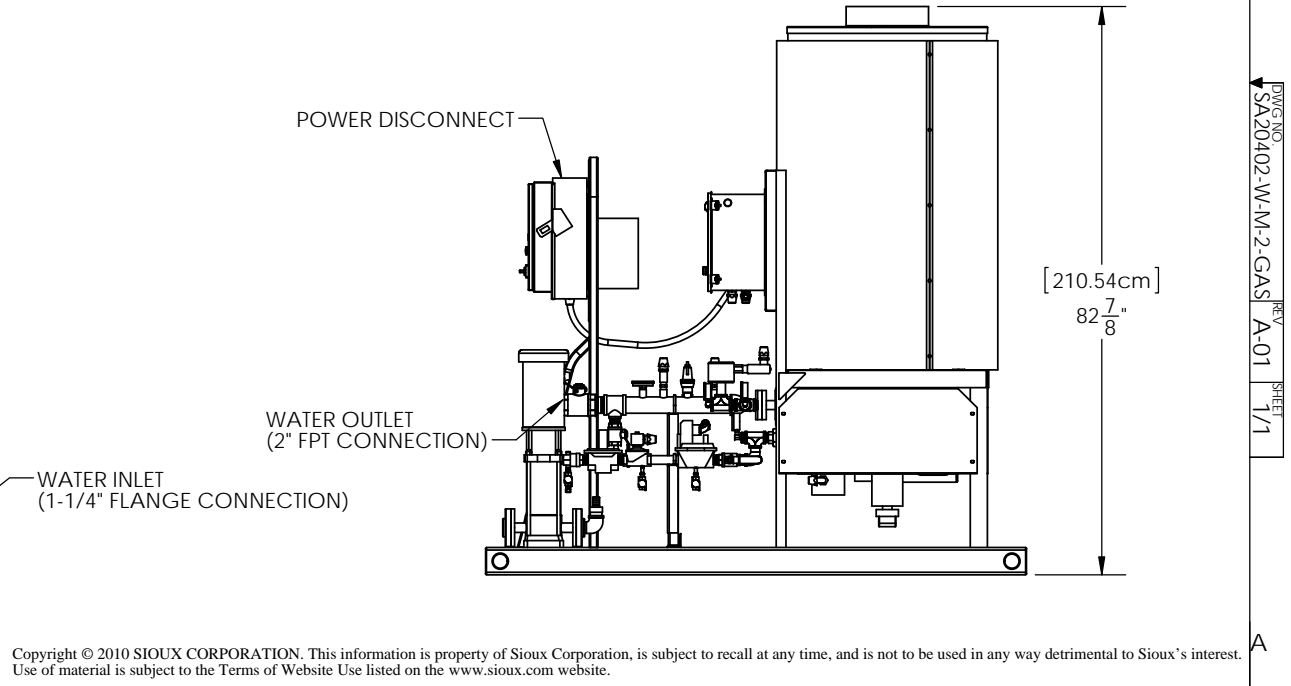
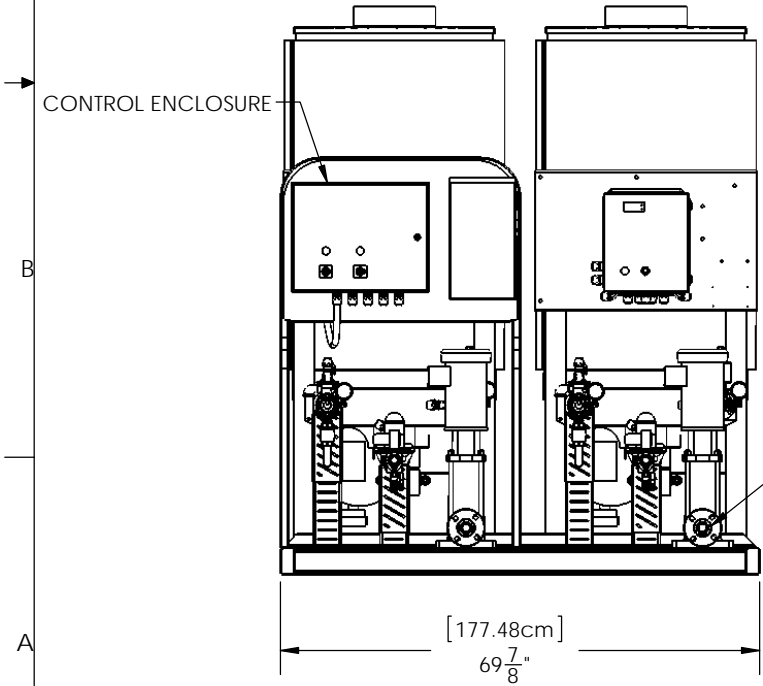
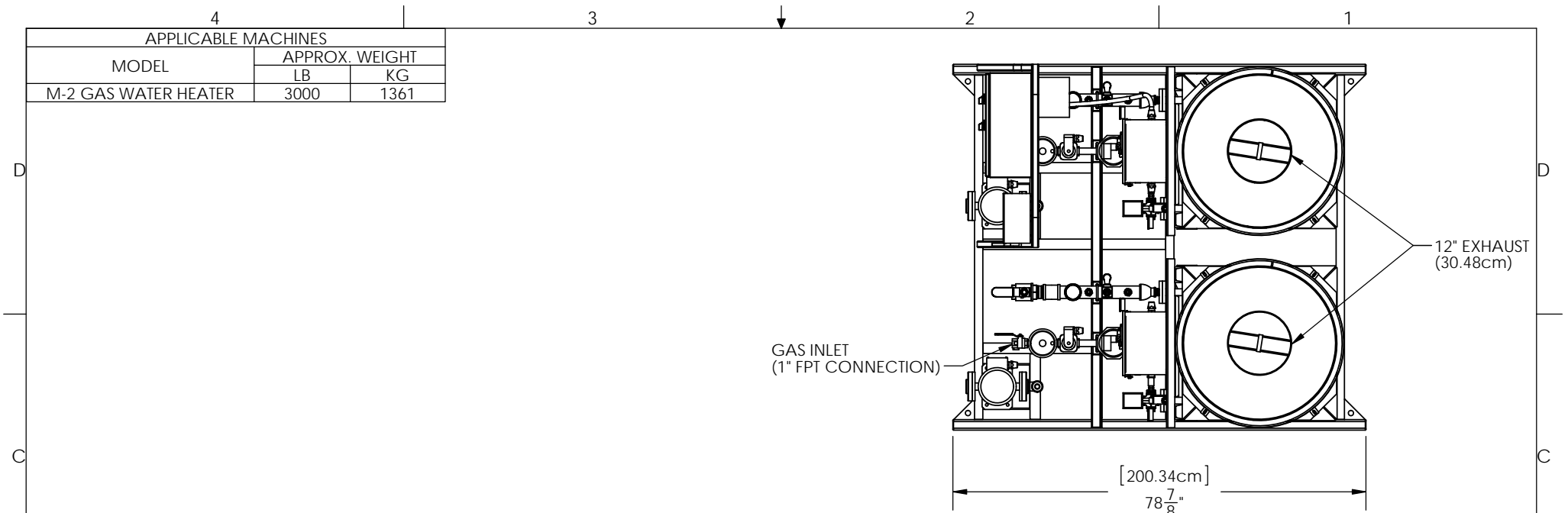
UNLESS NOTED:
 DIMENSIONS
INCHES
 TOLERANCES
 LINEAR: ±.0625 [1/16]
 ANGULAR: ±2°

DRN LC 07-29-14
 CHK
 OC
 THIRD-ANGLE PROJECTION

SIOUX CORPORATION ONE SIOUX PLAZA, BERESFORD, SD 57004			
M-1 WATER HEATER - OIL FIRED			
SIZE A	SCALE 1:24	FILE	SA20402-W-M-1-OIL
SA20402-W-M-1-OIL		REV A-03	SH 1/1

DWG NO SA20402-W-M-1-OIL REV A-03 SHEET 1/1

APPLICABLE MACHINES		
MODEL	APPROX. WEIGHT	
	LB	KG
M-2 GAS WATER HEATER	3000	1361



Copyright © 2010 SIOUX CORPORATION. This information is property of Sioux Corporation, is subject to recall at any time, and is not to be used in any way detrimental to Sioux's interest. Use of material is subject to the Terms of Website Use listed on the www.siuox.com website.

PROPRIETARY AND CONFIDENTIAL
 THE INFORMATION CONTAINED
 IN THIS DRAWING IS THE SOLE
 PROPERTY OF SIOUX CORP.
 ANY REPRODUCTION IN PART OR
 AS A WHOLE WITHOUT WRITTEN
 PERMISSION OF SIOUX CORP
 IS PROHIBITED.

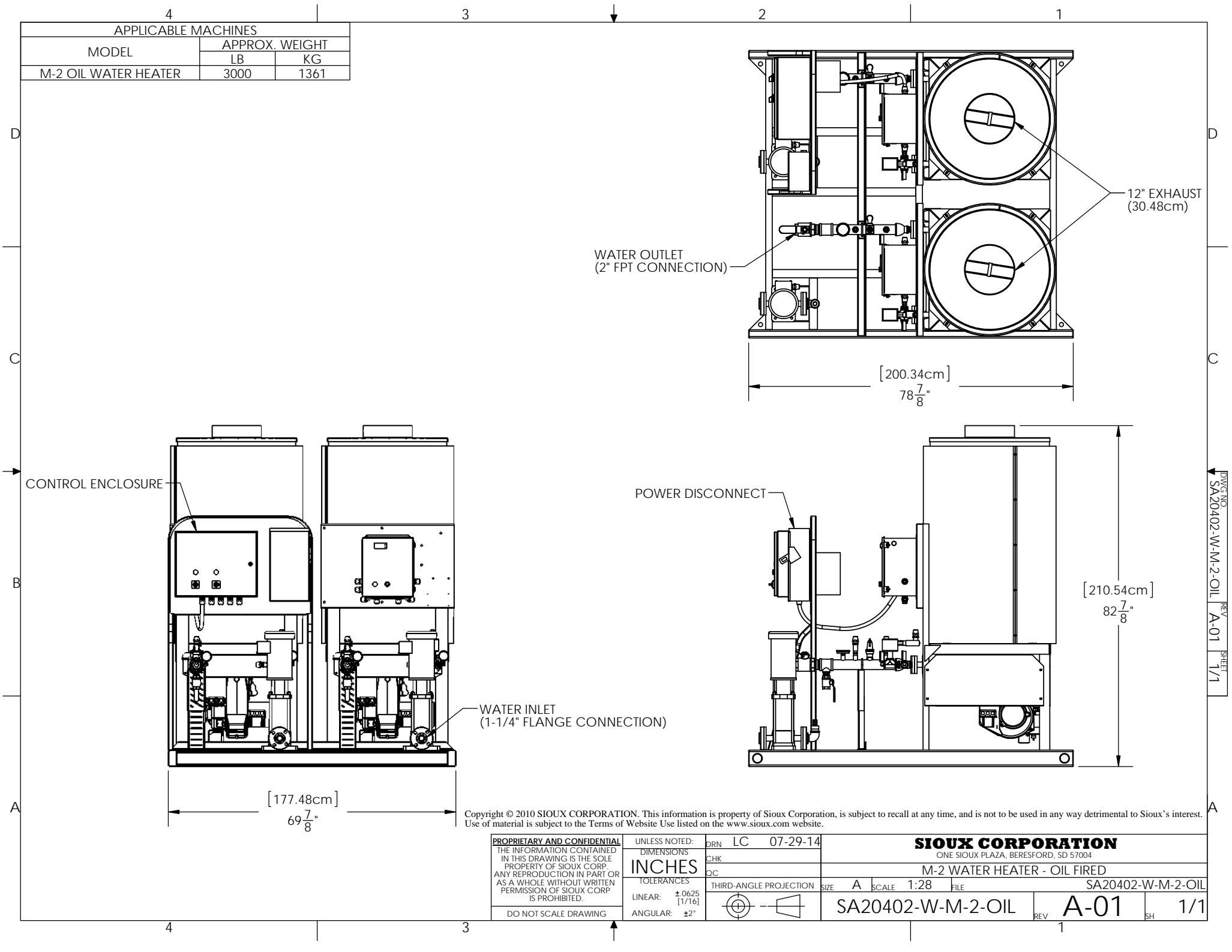
UNLESS NOTED:
 DIMENSIONS
INCHES
 TOLERANCES
 LINEAR: ±.0625
 [1/16]
 ANGULAR: ±2°

DRN LC 07-29-14
 CHK
 OC
 THIRD-ANGLE PROJECTION

SIOUX CORPORATION ONE SIOUX PLAZA, BERESFORD, SD 57004			
M-2 WATER HEATER - GAS FIRED			
SIZE A	SCALE 1:28	FILE	SA20402-W-M-2-GAS
SA20402-W-M-2-GAS		REV A-01	SH 1/1

DRAWING NO. SA20402-W-M-2-GAS REV. A-01 SHEET 1/1

APPLICABLE MACHINES		
MODEL	APPROX. WEIGHT	
	LB	KG
M-2 OIL WATER HEATER	3000	1361



Copyright © 2010 SIOUX CORPORATION. This information is property of Sioux Corporation, is subject to recall at any time, and is not to be used in any way detrimental to Sioux's interest. Use of material is subject to the Terms of Website Use listed on the www.siuox.com website.

PROPRIETARY AND CONFIDENTIAL
 THE INFORMATION CONTAINED
 IN THIS DRAWING IS THE SOLE
 PROPERTY OF SIOUX CORP.
 ANY REPRODUCTION IN PART OR
 AS A WHOLE WITHOUT WRITTEN
 PERMISSION OF SIOUX CORP
 IS PROHIBITED.

UNLESS NOTED:
 DIMENSIONS
INCHES
 TOLERANCES
 LINEAR: ±.0625
 [1/16]
 ANGULAR: ±2°

DRN LC 07-29-14
 CHK
 OC
 THIRD-ANGLE PROJECTION

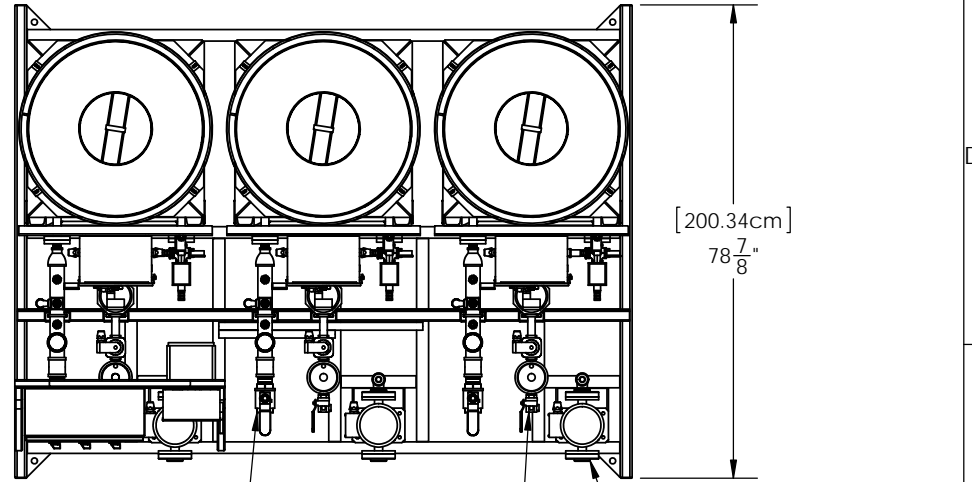
SIOUX CORPORATION
 ONE SIOUX PLAZA, BERESFORD, SD 57004

M-2 WATER HEATER - OIL FIRED

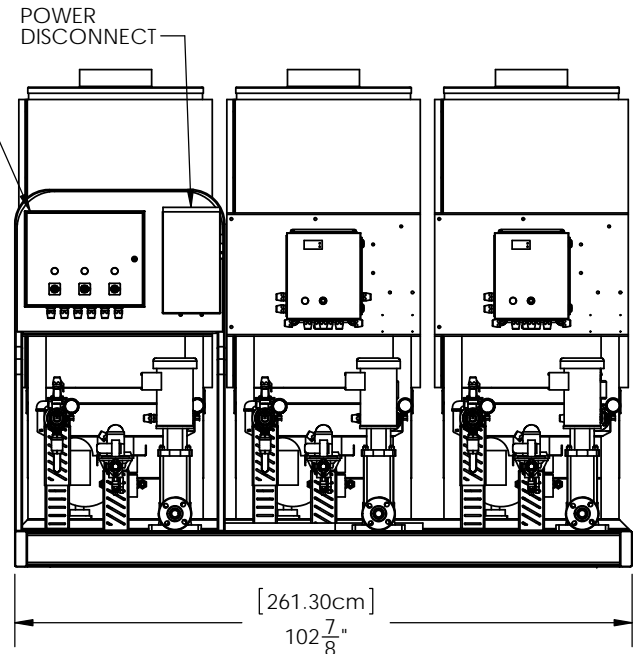
SIZE A SCALE 1:28 FILE SA20402-W-M-2-OIL
 SA20402-W-M-2-OIL REV A-01 SH 1/1

DRAWING NO. SA20402-W-M-2-OIL REV A-01 SHEET 1/1

APPLICABLE MACHINES		
MODEL	APPROX. WEIGHT	
	LB	KG
M-3 GAS WATER HEATER	4500	2041



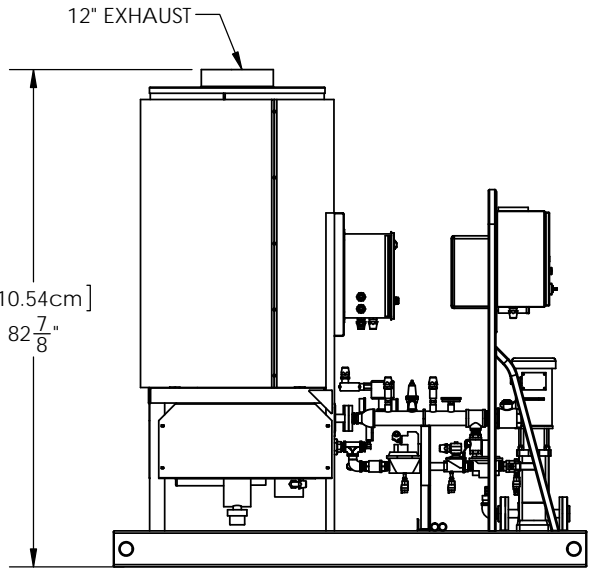
WATER OUTLET (2" FPT CONNECTION) GAS INLET (1" FPT CONNECTION) WATER INLET (1-1/4" FLANGE CONNECTION)



CONTROL ENCLOSURE

POWER DISCONNECT

[261.30cm]
102 7/8"



12" EXHAUST

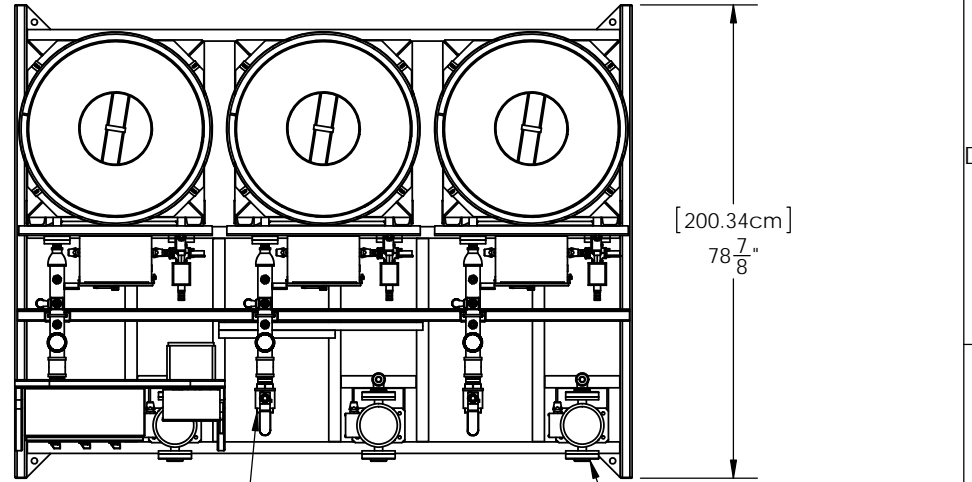
[210.54cm]
82 7/8"

Copyright © 2010 SIOUX CORPORATION. This information is property of Sioux Corporation, is subject to recall at any time, and is not to be used in any way detrimental to Sioux's interest. Use of material is subject to the Terms of Website Use listed on the www.siuox.com website.

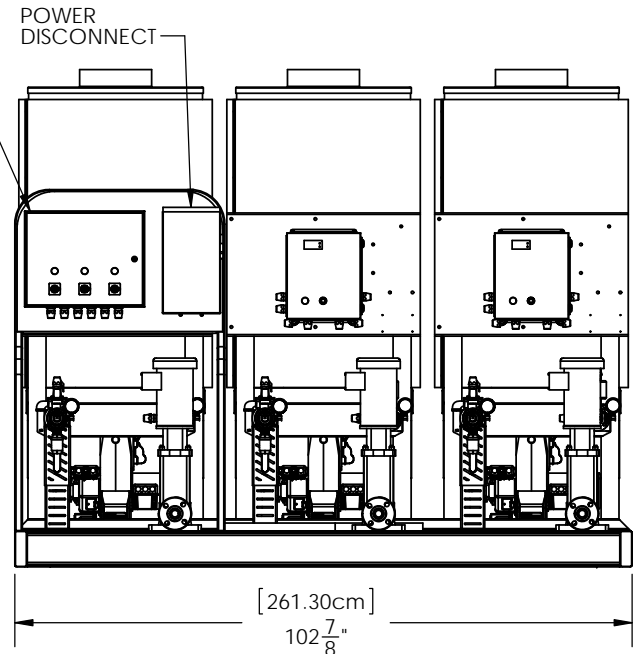
PROPRIETARY AND CONFIDENTIAL THE INFORMATION CONTAINED IN THIS DRAWING IS THE SOLE PROPERTY OF SIOUX CORP. ANY REPRODUCTION IN PART OR AS A WHOLE WITHOUT WRITTEN PERMISSION OF SIOUX CORP IS PROHIBITED. DO NOT SCALE DRAWING	UNLESS NOTED: DIMENSIONS INCHES	DRN LC 07-30-14	SIOUX CORPORATION ONE SIOUX PLAZA, BERESFORD, SD 57004 M-3 WATER HEATER - GAS FIRED		
	TOLERANCES	CHK			THIRD-ANGLE PROJECTION
	LINEAR: ±.0625 [1/16]	OC	SIZE A	SCALE 1:32	FILE SA20402-W-M-3-GAS
	ANGULAR: ±2°		SA20402-W-M-3-GAS	REV A-01	SH 1/1

DRAWING NO. SA20402-W-M-3-GAS REV. A-01 SHEET 1/1

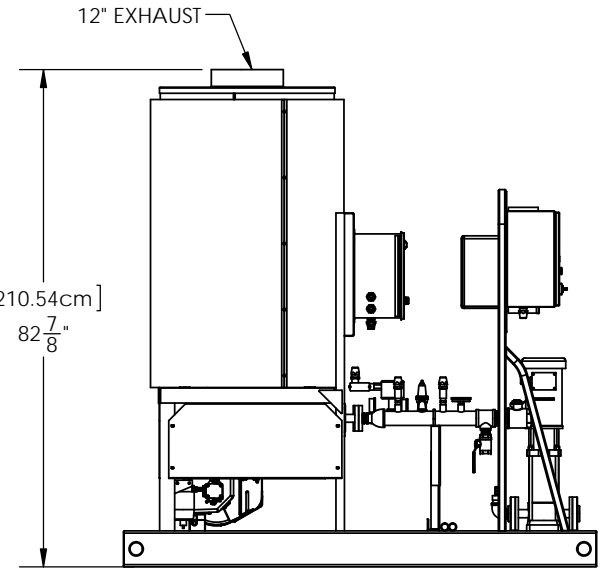
APPLICABLE MACHINES		
MODEL	APPROX. WEIGHT	
	LB	KG
M-3 OIL WATER HEATER	4500	2041



WATER OUTLET (2" FPT CONNECTION) WATER INLET (1-1/4" FLANGE CONNECTION)



CONTROL ENCLOSURE



12" EXHAUST

Copyright © 2010 SIOUX CORPORATION. This information is property of Sioux Corporation, is subject to recall at any time, and is not to be used in any way detrimental to Sioux's interest. Use of material is subject to the Terms of Website Use listed on the www.siuox.com website.

PROPRIETARY AND CONFIDENTIAL THE INFORMATION CONTAINED IN THIS DRAWING IS THE SOLE PROPERTY OF SIOUX CORP. ANY REPRODUCTION IN PART OR AS A WHOLE WITHOUT WRITTEN PERMISSION OF SIOUX CORP IS PROHIBITED. DO NOT SCALE DRAWING	UNLESS NOTED: DIMENSIONS	DRN LC 07-30-14	SIOUX CORPORATION ONE SIOUX PLAZA, BERESFORD, SD 57004		
	INCHES	CHK			M-3 WATER HEATER - OIL FIRED
	TOLERANCES	OC	THIRD-ANGLE PROJECTION	SIZE A	SCALE 1:32
	LINEAR: ±.0625 [1/16] ANGULAR: ±2°			FILE	SA20402-W-M-3-OIL
			SA20402-W-M-3-OIL	REV A-01	SH 1/1

DWG NO SA20402-W-M-3-OIL REV A-01 SHEET 1/1