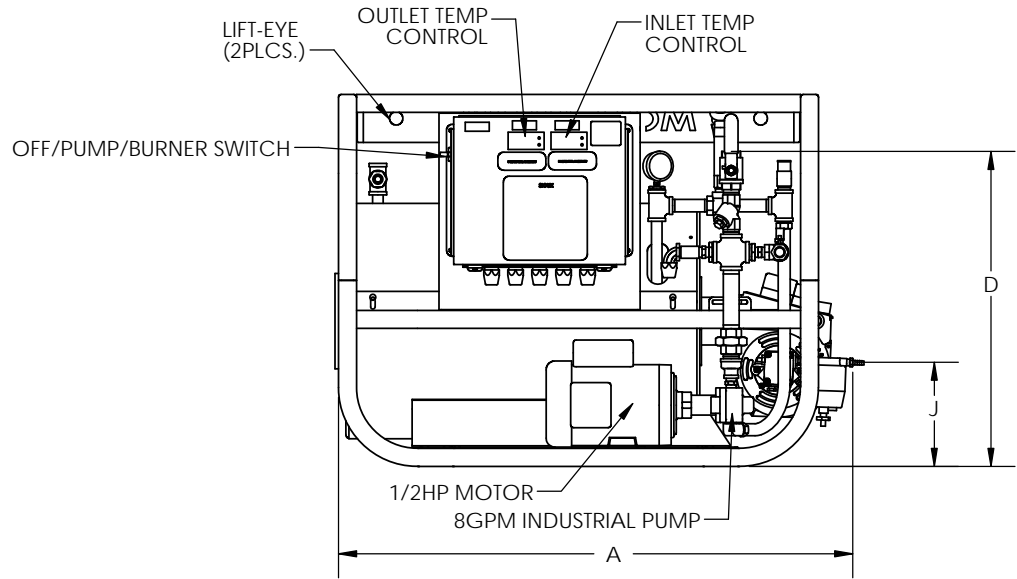
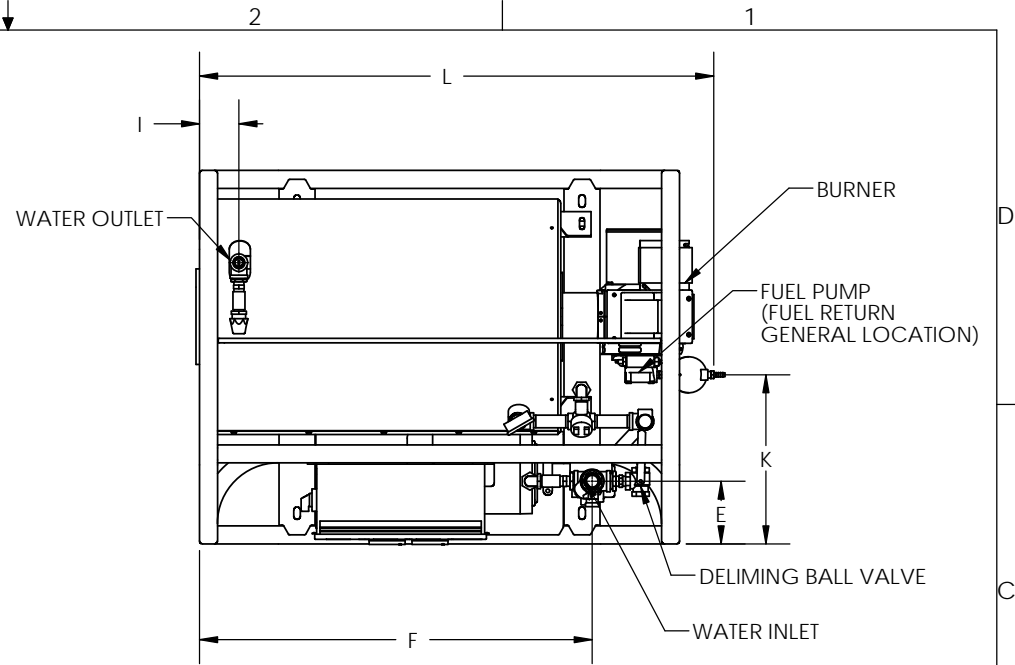
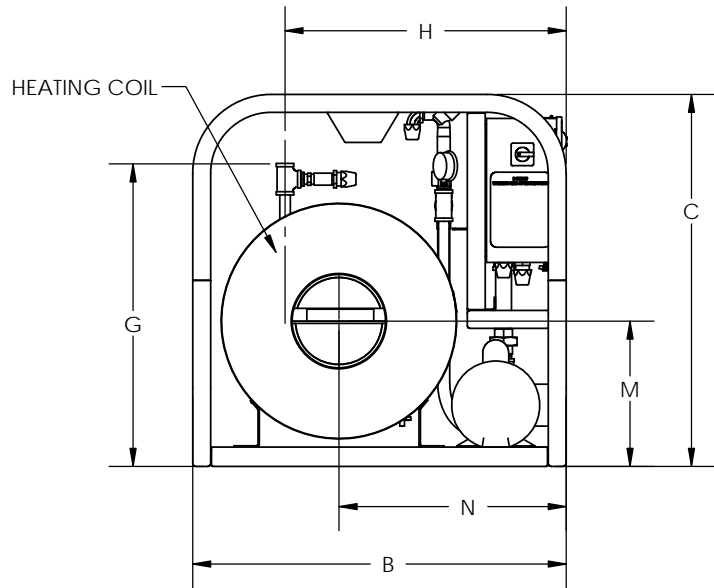


4		3	
MODEL	DIM	M-415 OIL	
UNITS		INCH	MM
LENGTH, OVERALL	A	42-7/8	1089
WIDTH, OVERALL	B	31-1/8	790
HEIGHT, OVERALL	C	31	788
WATER INLET (FNPT)	Ø	1	25
WATER INLET HEIGHT	D	26-1/8	664
WATER INLET DISTANCE FROM FRONT	E	5-1/4	133
WATER INLET DISTANCE FROM LEFT	F	32-3/4	832
WATER OUTLET (FNPT)	Ø	3/4	19
WATER OUTLET HEIGHT	G	25-1/4	641
WATER OUTLET DISTANCE FROM FRONT	H	23-1/2	597
WATER OUTLET DISTANCE FROM LEFT	I	3-1/4	81
FUEL/GAS INLET (FNPT)	Ø	3/8	10
FUEL/GAS INLET HEIGHT	J	8-3/4	222
FUEL/GAS INLET DISTANCE FROM FRONT	K	14-3/8	365
FUEL/GAS INLET DISTANCE FROM LEFT	L	41-7/8	1060
EXHAUST OUTLET	Ø	8	203
EXHAUST HEIGHT	M	12-1/8	308
EXHAUST DISTANCE FROM FRONT	N	19-1/4	490

-ALL DIMENSIONS SHOWN ARE FOR REFERENCE ONLY AND SUBJECT TO CHANGE WITHOUT NOTICE

-ALL DIMENSIONS ±1" (25 MM)



DWG NO: OWM415-GA REV: A-04 SHEET: 1/1

PROPRIETARY AND CONFIDENTIAL
THE INFORMATION CONTAINED IN THIS DRAWING IS THE SOLE PROPERTY OF SIOUX CORP. ANY REPRODUCTION IN PART OR AS A WHOLE WITHOUT WRITTEN PERMISSION OF SIOUX CORP IS PROHIBITED.

UNLESS NOTED: DIMENSIONS INCHES
TOLERANCES
LINEAR: ±1 [1]
ANGULAR: ±2°

DRN LN 10-3-12
CHK
OC
THIRD-ANGLE PROJECTION
SIZE A SCALE 1:16 FILE
M-415 GENERAL ARRANGEMENT
M-415 FR20017 10-3-12
OWM415-GA REV **A-04** SH 1/1

REV.	DESCRIPTION	DATE	BY
A-04	UPDATED DIMENSION SHEET	2/18/2016	
A-03	UPDATED INLET AND OUTLET FITTINGS	12/8/2014	
A-02	ADD GAS DIMS AND TABLE, DWG FMT	1/8/2014	

DO NOT SCALE DRAWING

4

3

1