

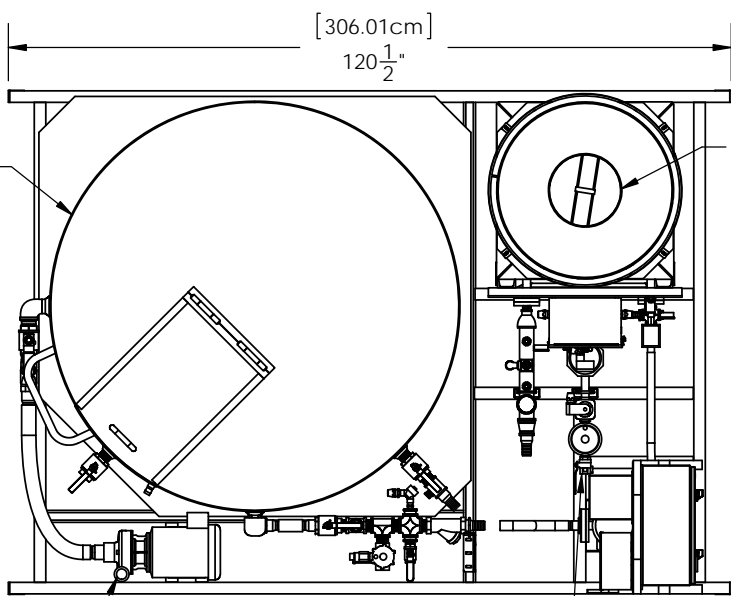
4

3

2

1

| APPLICABLE MACHINES  |                |      |
|----------------------|----------------|------|
| MODEL                | APPROX. WEIGHT |      |
|                      | LB             | KG   |
| HWP GAS WATER HEATER | 2470           | 1120 |



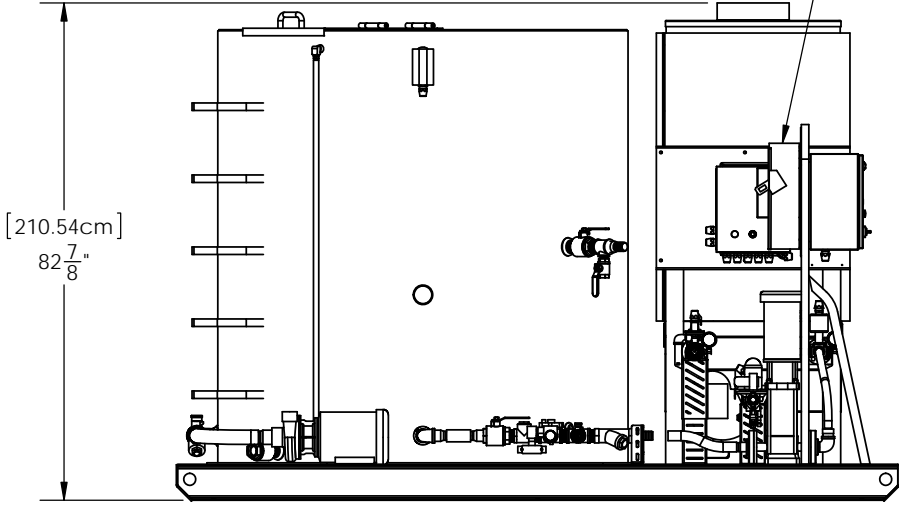
WATER TANK  
(1000 GAL/ 3785.4 L)

12" EXHAUST  
(30.48cm)

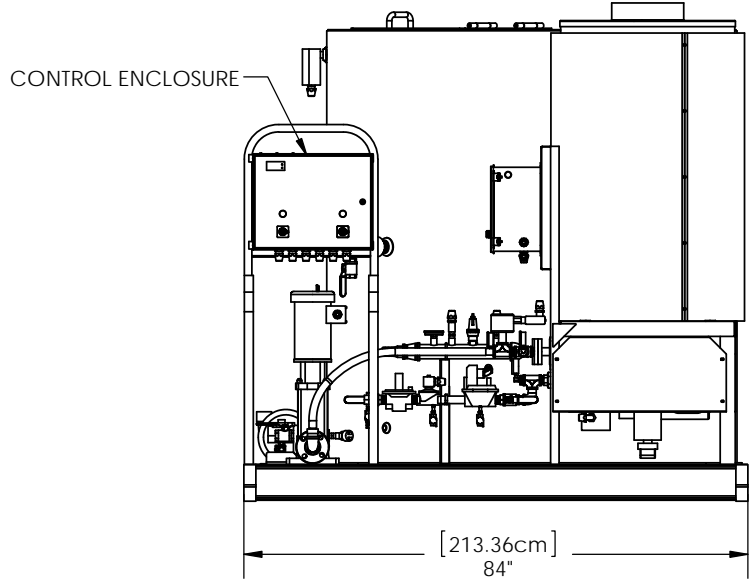
DISCHARGE PUMP OUTLET  
(2" FPT CONNECTION)

GAS INLET  
(1" FPT CONNECTION)

POWER DISCONNECT



[210.54cm]  
82 7/8"



CONTROL ENCLOSURE

[213.36cm]  
84"

Copyright © 2010 SIOUX CORPORATION. This information is property of Sioux Corporation, is subject to recall at any time, and is not to be used in any way detrimental to Sioux's interest. Use of material is subject to the Terms of Website Use listed on the www.siuox.com website.

**PROPRIETARY AND CONFIDENTIAL**  
THE INFORMATION CONTAINED  
IN THIS DRAWING IS THE SOLE  
PROPERTY OF SIOUX CORP.  
ANY REPRODUCTION IN PART OR  
AS A WHOLE WITHOUT WRITTEN  
PERMISSION OF SIOUX CORP  
IS PROHIBITED.

DO NOT SCALE DRAWING

UNLESS NOTED:  
DIMENSIONS  
**INCHES**  
TOLERANCES  
LINEAR: ±.0625  
[1/16]  
ANGULAR: ±2°

DRN LC 07-29-14  
CHK  
OC  
THIRD-ANGLE PROJECTION

**SIOUX CORPORATION**  
ONE SIOUX PLAZA, BERESFORD, SD 57004  
HWP WATER HEATER - GAS FIRED  
FR20421-W-GAS

SIZE A SCALE 1:32 FILE  
FR20421-W-GAS REV A-02 SH 1/1

4

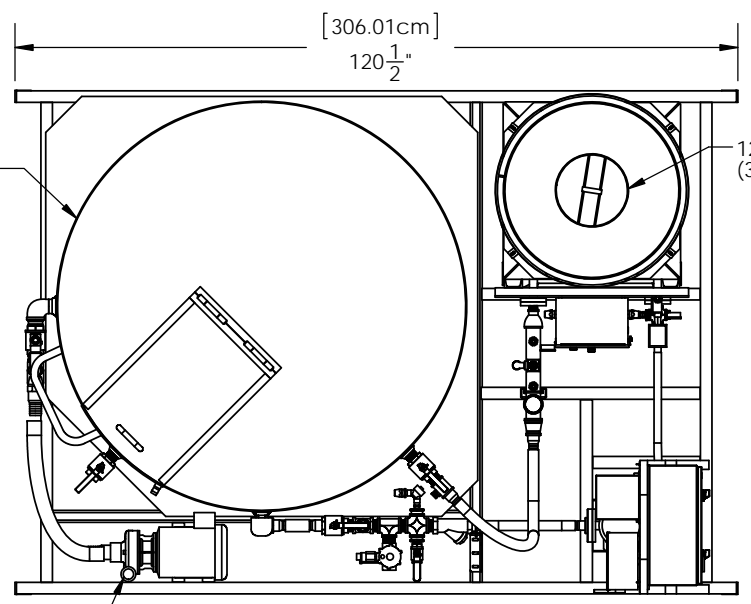
3

1

DWG NO. FR20421-W-GAS  
 REV A-02  
 SHEET 1/1

4 3 2 1

| APPLICABLE MACHINES  |                |      |
|----------------------|----------------|------|
| MODEL                | APPROX. WEIGHT |      |
|                      | LB             | KG   |
| HWP OIL WATER HEATER | 2470           | 1120 |



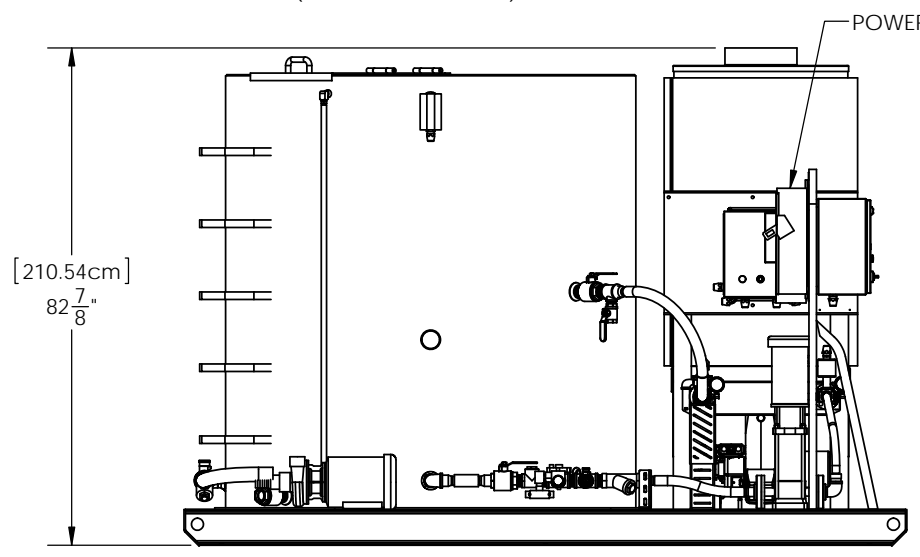
WATER TANK  
(1000 GAL/ 3785.4 L)

12" EXHAUST  
(30.48cm)

DISCHARGE PUMP OUTLET  
(2" FPT CONNECTION)

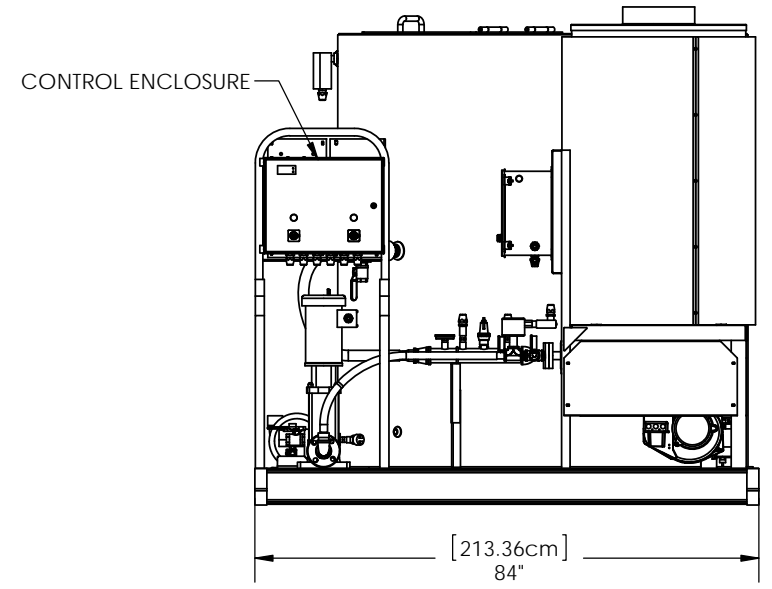
D  
C  
B  
A

D  
C  
B  
A



POWER DISCONNECT

[210.54cm]  
82 7/8"



CONTROL ENCLOSURE

[213.36cm]  
84"

Copyright © 2010 SIOUX CORPORATION. This information is property of Sioux Corporation, is subject to recall at any time, and is not to be used in any way detrimental to Sioux's interest. Use of material is subject to the Terms of Website Use listed on the www.siuox.com website.

|   |                          |                 |   |               |      |        |
|---|--------------------------|-----------------|---|---------------|------|--------|
| <b>PROPRIETARY AND CONFIDENTIAL</b><br>THE INFORMATION CONTAINED<br>IN THIS DRAWING IS THE SOLE<br>PROPERTY OF SIOUX CORP.<br>ANY REPRODUCTION IN PART OR<br>AS A WHOLE WITHOUT WRITTEN<br>PERMISSION OF SIOUX CORP<br>IS PROHIBITED.<br><br>DO NOT SCALE DRAWING | UNLESS NOTED:            | DRN LC 07-29-14 | <b>SIOUX CORPORATION</b><br>ONE SIOUX PLAZA, BERESFORD, SD 57004<br><b>HWP WATER HEATER - OIL FIRED</b> |               |      |        |
|   | DIMENSIONS               | CHK             |   |               |      | SIZE A |
|   | <b>INCHES</b>            | TOLERANCES      | THIRD-ANGLE PROJECTION  | REV           | A-01 | 1/1    |
|   | LINEAR: ±.0625<br>[1/16] | ANGULAR: ±2°    |   | FR20421-W-OIL |      |        |

4 3 2 1