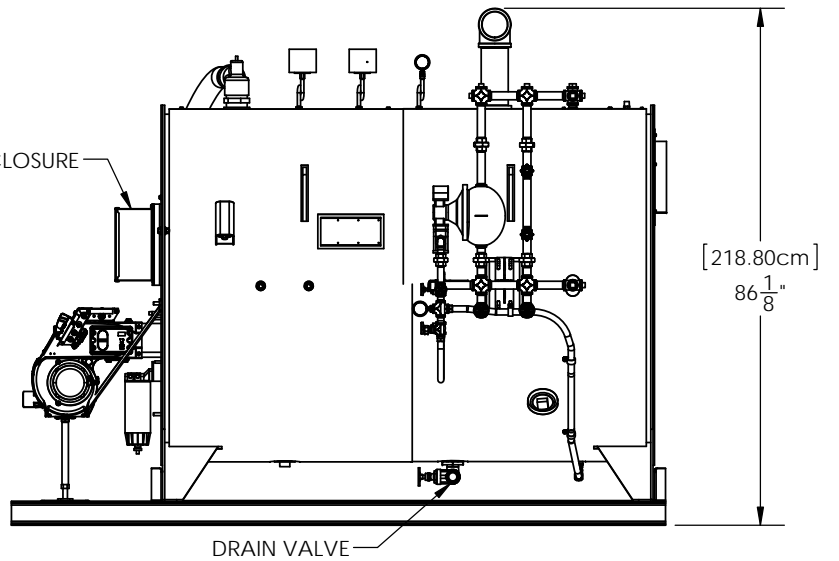
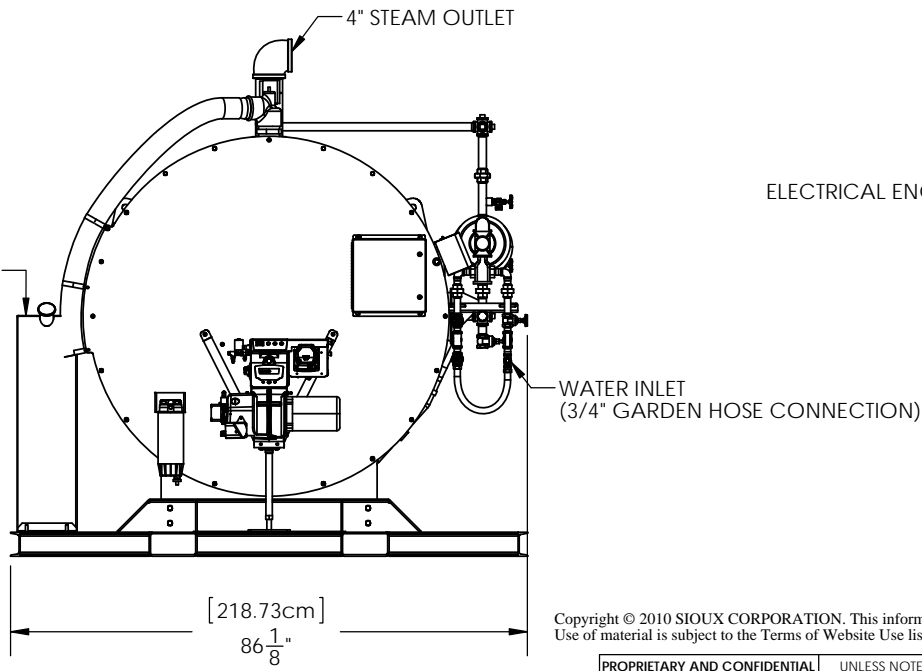
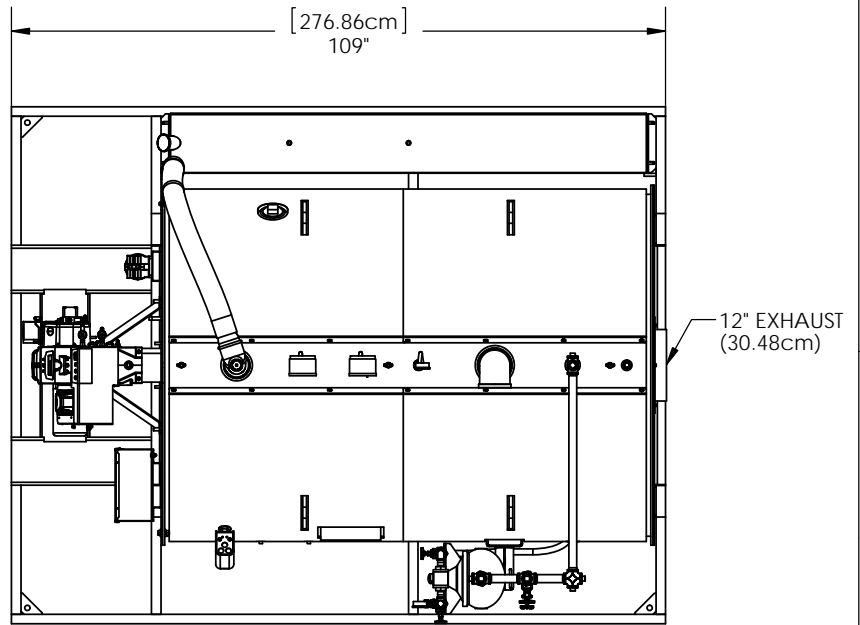


APPLICABLE MACHINES		
MODEL	APPROX. WEIGHT	
	LB	KG
SF-50 OIL SKID MOUNT	5327	2416



Copyright © 2010 SIOUX CORPORATION. This information is property of Sioux Corporation, is subject to recall at any time, and is not to be used in any way detrimental to Sioux's interest. Use of material is subject to the Terms of Website Use listed on the www.siuox.com website.

**PROPRIETARY AND CONFIDENTIAL**  
THE INFORMATION CONTAINED  
IN THIS DRAWING IS THE SOLE  
PROPERTY OF SIOUX CORP.  
ANY REPRODUCTION IN PART OR  
AS A WHOLE WITHOUT WRITTEN  
PERMISSION OF SIOUX CORP  
IS PROHIBITED.

UNLESS NOTED:  
DIMENSIONS  
**INCHES**  
TOLERANCES  
LINEAR: ±.0625  
[1/16]  
ANGULAR: ±2°

DRN LC 07-24-14  
CHK  
OC  
THIRD-ANGLE PROJECTION

**SIOUX CORPORATION**  
ONE SIOUX PLAZA, BERESFORD, SD 57004

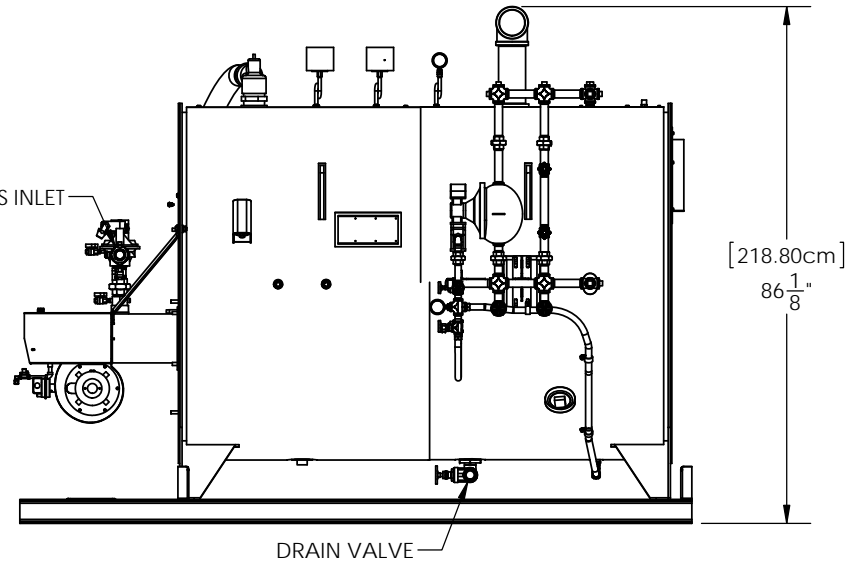
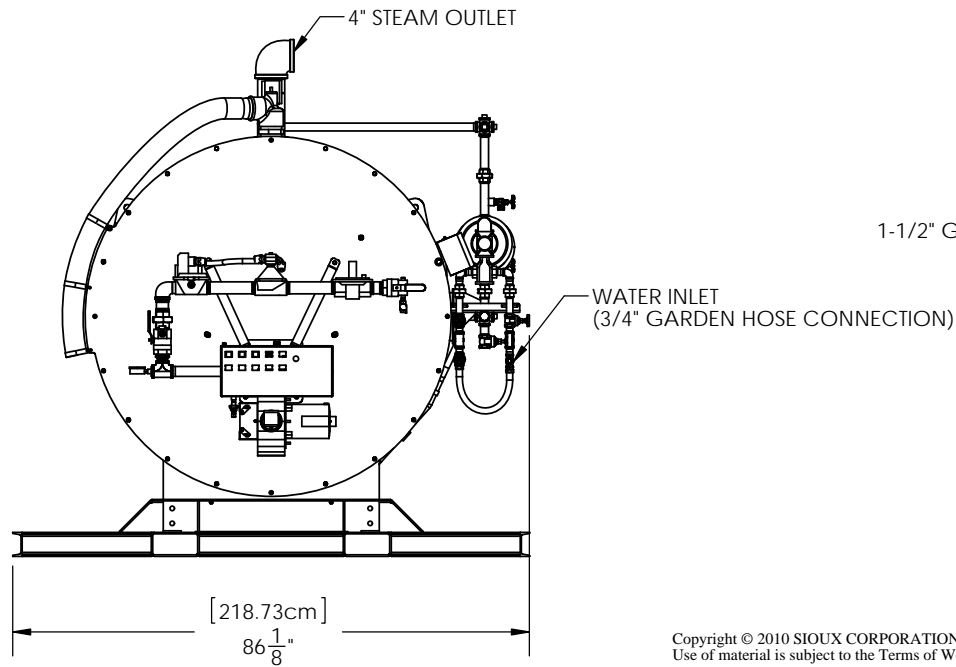
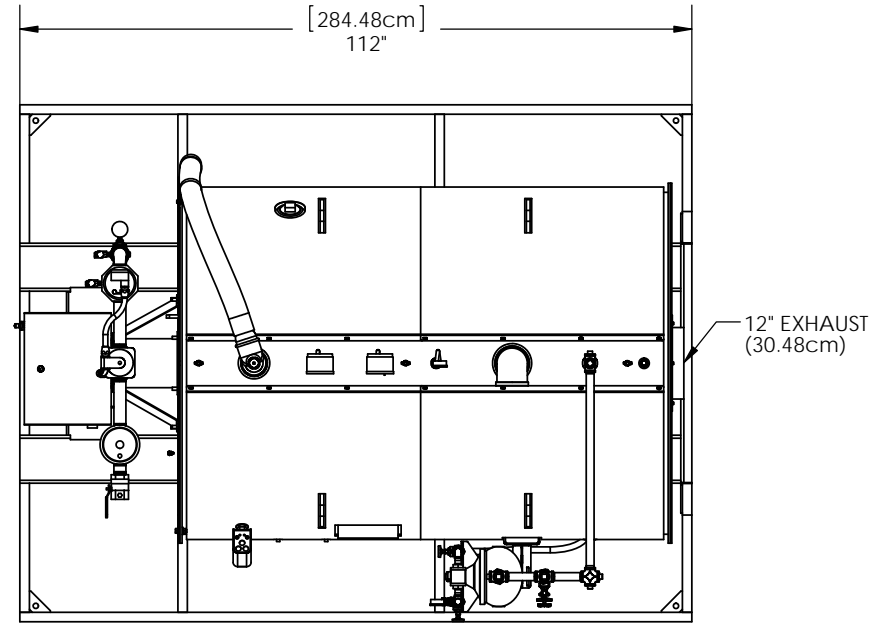
STEAM FLO 50 SKID MOUNT - OIL FIRED

SIZE A SCALE 1:32 FILE FR21126-W-OIL-SKID  
FR21165-W-OIL-SKID REV A-01 SH 1/1

DO NOT SCALE DRAWING

DRAWING NO. FR21165-W-OIL-SKID REV. A-01 SHEET 1/1

APPLICABLE MACHINES		
MODEL	APPROX. WEIGHT	
	LB	KG
SF-50 GAS SKID MOUNT	5086	2307



Copyright © 2010 SIOUX CORPORATION. This information is property of Sioux Corporation, is subject to recall at any time, and is not to be used in any way detrimental to Sioux's interest. Use of material is subject to the Terms of Website Use listed on the www.siuox.com website.

**PROPRIETARY AND CONFIDENTIAL**  
THE INFORMATION CONTAINED  
IN THIS DRAWING IS THE SOLE  
PROPERTY OF SIOUX CORP.  
ANY REPRODUCTION IN PART OR  
AS A WHOLE WITHOUT WRITTEN  
PERMISSION OF SIOUX CORP  
IS PROHIBITED.

UNLESS NOTED:  
DIMENSIONS  
**INCHES**  
TOLERANCES  
LINEAR: ±.0625  
[1/16]  
ANGULAR: ±2°

DRN LC 07-24-14  
CHK  
OC  
THIRD-ANGLE PROJECTION

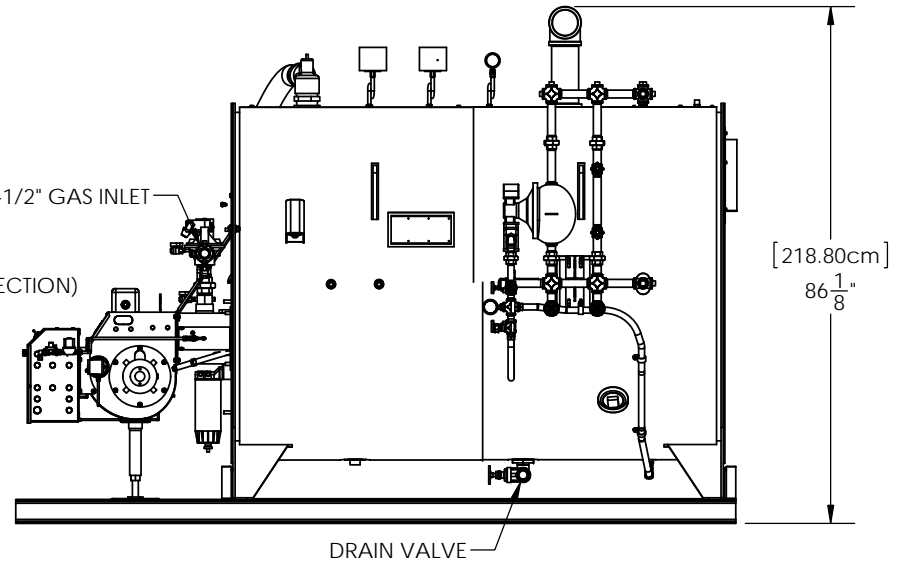
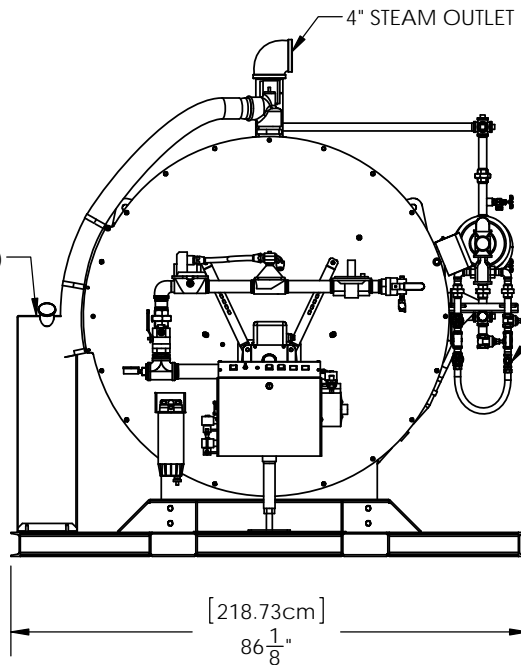
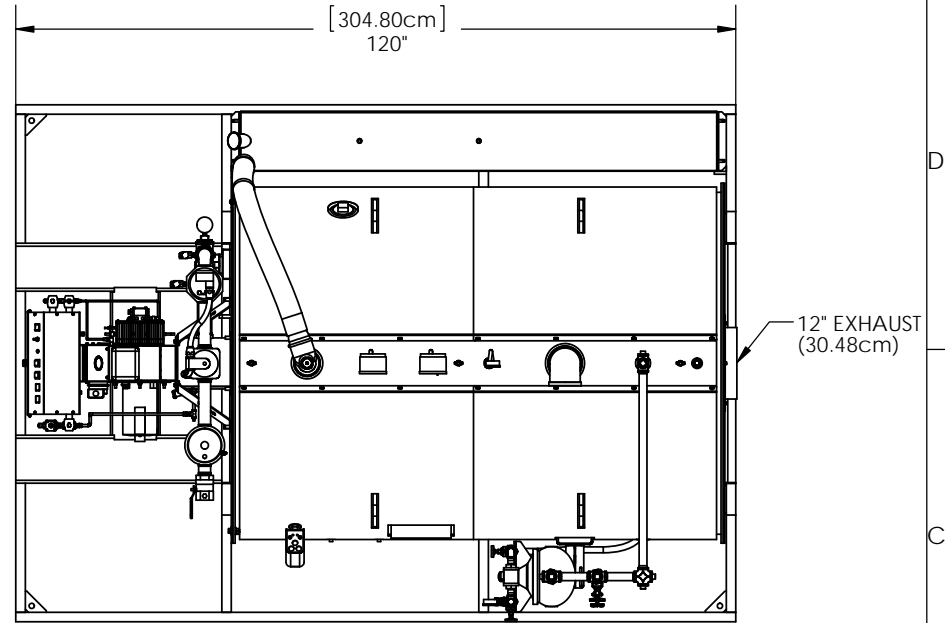
**SIOUX CORPORATION**  
ONE SIOUX PLAZA, BERESFORD, SD 57004

STEAM FLO 50 SKID MOUNT - GAS FIRED

FR21165-W-GAS-SKID REV A-01 SH 1/1

DRAWING NO. FR21165-W-GAS-SKID REV. A-01 SHEET 1/1

APPLICABLE MACHINES		
MODEL	APPROX. WEIGHT	
	LB	KG
SF-50 COMBO SKID MOUNT	5327	2416



Copyright © 2010 SIOUX CORPORATION. This information is property of Sioux Corporation, is subject to recall at any time, and is not to be used in any way detrimental to Sioux's interest. Use of material is subject to the Terms of Website Use listed on the www.siuox.com website.

<b>PROPRIETARY AND CONFIDENTIAL</b> THE INFORMATION CONTAINED IN THIS DRAWING IS THE SOLE PROPERTY OF SIOUX CORP. ANY REPRODUCTION IN PART OR AS A WHOLE WITHOUT WRITTEN PERMISSION OF SIOUX CORP IS PROHIBITED.  DO NOT SCALE DRAWING	UNLESS NOTED:	DRN LC 07-28-14	<b>SIOUX CORPORATION</b> ONE SIOUX PLAZA, BERESFORD, SD 57004	
	DIMENSIONS	CHK		
	<b>INCHES</b>	OC	STEAM FLO 50 SKID MOUNT - COMBINATION FIRED	FR21126-W-COM-SKID
	TOLERANCES	THIRD-ANGLE PROJECTION	SIZE A SCALE 1:32 FILE	REV A-02 1/1
LINEAR: ±.0625 [1/16]	ANGULAR: ±2°	FR21165-W-COM-SKID	SHI	

DWG NO: FR21165-W-COM-SKID  
 REV: A-02  
 SHEET: 1/1