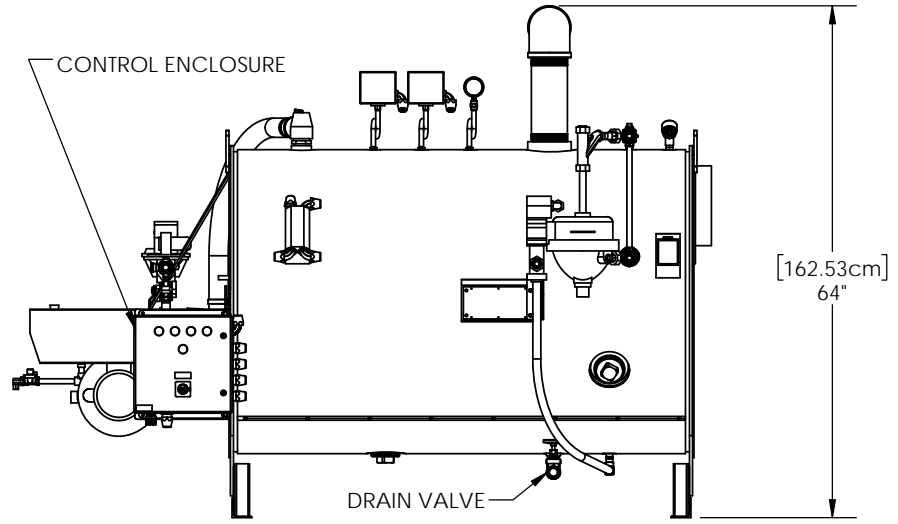
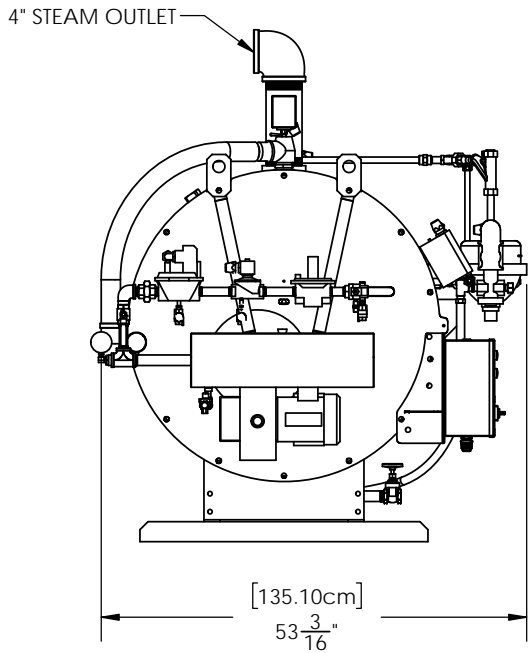
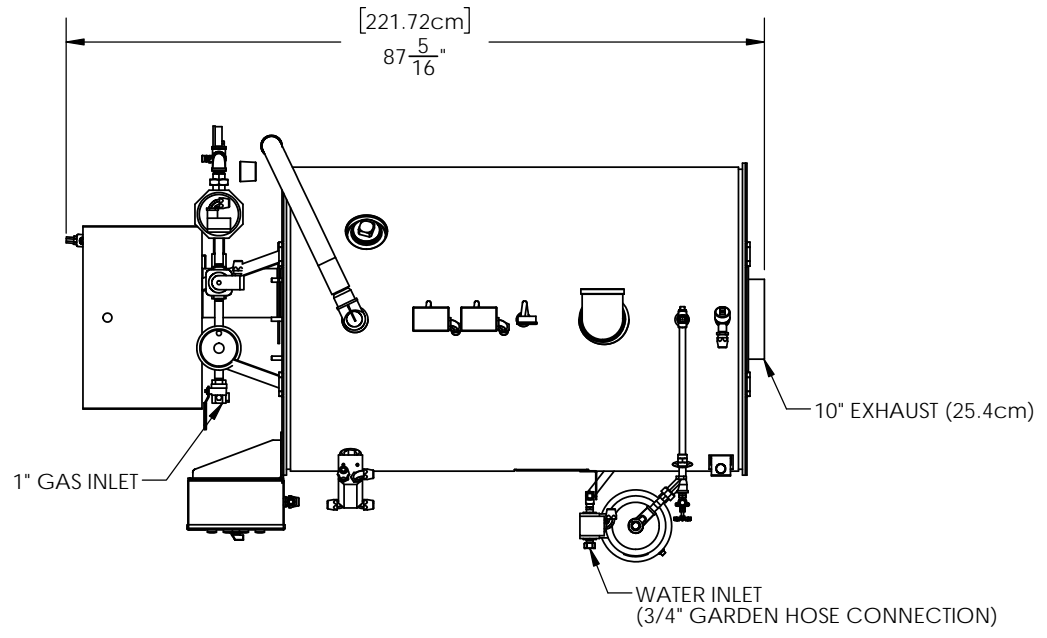


APPLICABLE MACHINES		
MODEL	APPROX. WEIGHT	
	LB	KG
SF-25 GAS LEG MOUNT	1865	846



Copyright © 2010 SIOUX CORPORATION. This information is property of Sioux Corporation, is subject to recall at any time, and is not to be used in any way detrimental to Sioux's interest. Use of material is subject to the Terms of Website Use listed on the www.siuox.com website.

PROPRIETARY AND CONFIDENTIAL THE INFORMATION CONTAINED IN THIS DRAWING IS THE SOLE PROPERTY OF SIOUX CORP. ANY REPRODUCTION IN PART OR AS A WHOLE WITHOUT WRITTEN PERMISSION OF SIOUX CORP IS PROHIBITED. DO NOT SCALE DRAWING	UNLESS NOTED: DIMENSIONS INCHES	DRN LC 07-23-14	SIOUX CORPORATION ONE SIOUX PLAZA, BERESFORD, SD 57004 STEAM FLO 25 LEG MOUNTED - GAS FIRED			
	TOLERANCES LINEAR: ± 0.025 [1/16] ANGULAR: $\pm 2^\circ$	CHK OC				THIRD-ANGLE PROJECTION
				FR20050-W-GAS	A-02	1/1
					REV	SH

DWG NO. FR20050-W-GAS REV A-02 SHEET 1/1