

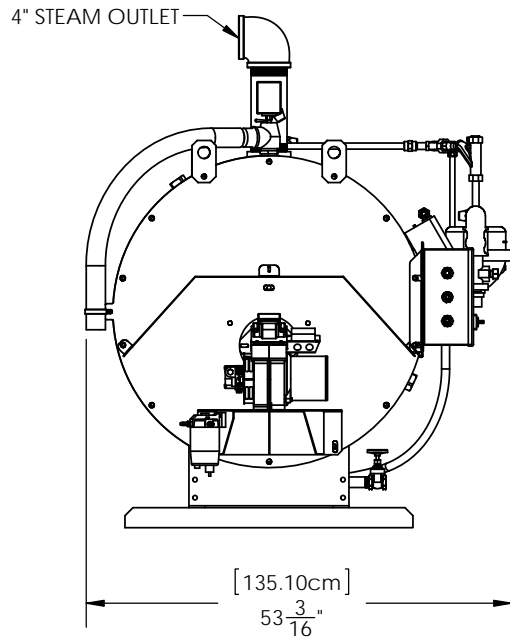
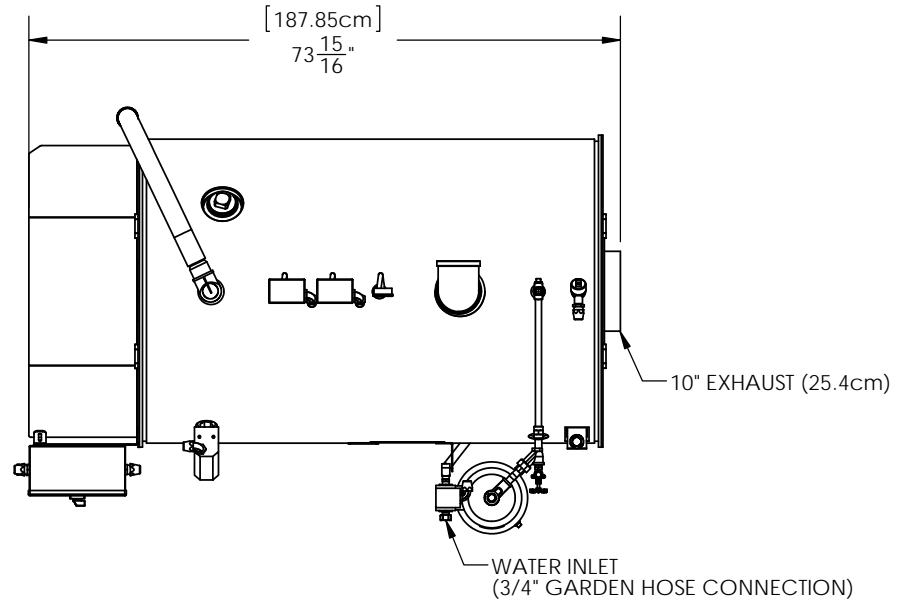
APPLICABLE MACHINES		
MODEL	APPROX. WEIGHT	
	LB	KG
SF-20 OIL LEG MOUNT	1865	846

D
C
B
A

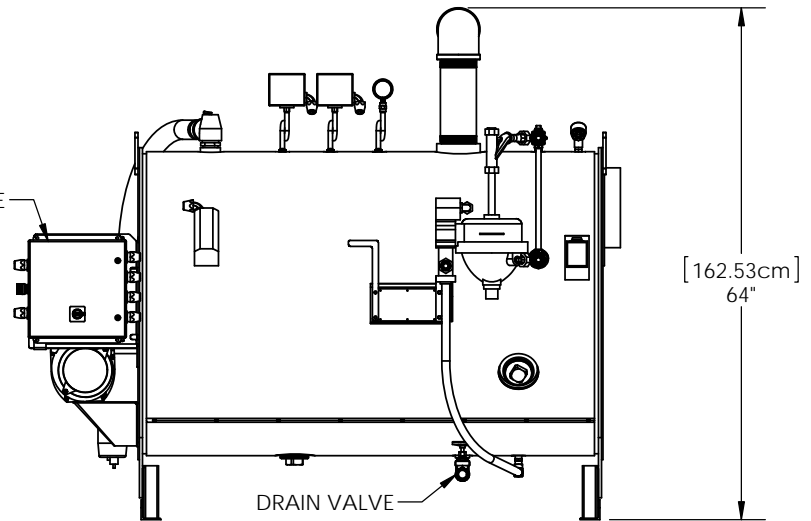
3

2

1



ELECTRICAL ENCLOSURE



Copyright © 2010 SIOUX CORPORATION. This information is property of Sioux Corporation, is subject to recall at any time, and is not to be used in any way detrimental to Sioux's interest. Use of material is subject to the Terms of Website Use listed on the www.siuox.com website.

PROPRIETARY AND CONFIDENTIAL
THE INFORMATION CONTAINED
IN THIS DRAWING IS THE SOLE
PROPERTY OF SIOUX CORP.
ANY REPRODUCTION IN PART OR
AS A WHOLE WITHOUT WRITTEN
PERMISSION OF SIOUX CORP
IS PROHIBITED.

DO NOT SCALE DRAWING

UNLESS NOTED:
DIMENSIONS
INCHES
TOLERANCES
LINEAR: ±.0625
[1/16]
ANGULAR: ±2°

DRN LC 07-23-14
CHK
OC
THIRD-ANGLE PROJECTION

SIOUX CORPORATION
ONE SIOUX PLAZA, BERESFORD, SD 57004

STEAM FLO 20 LEG MOUNTED - OIL FIRED

THIRD-ANGLE PROJECTION SIZE A SCALE 1:24 FILE FR20050-W-OIL-LEG

FR20050-W-OIL-LEG REV A-02 SH 1/1

4

3

1

DRAWING NO. FR20050-W-OIL-LEG REV A-02 SHEET 1/1

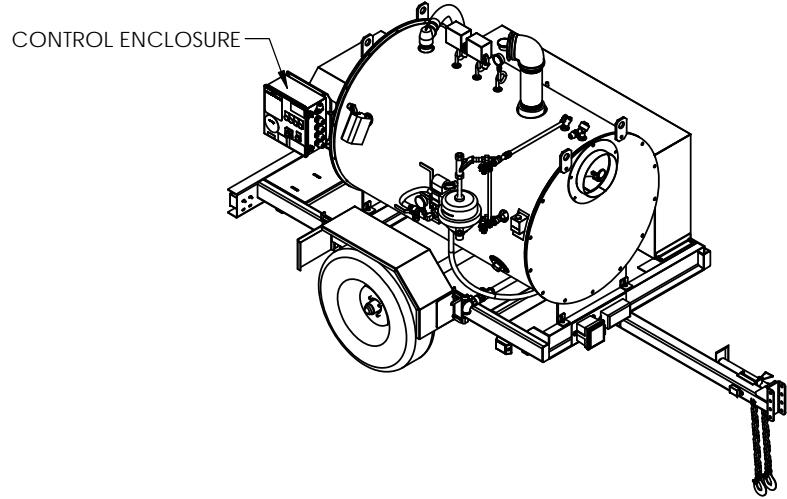
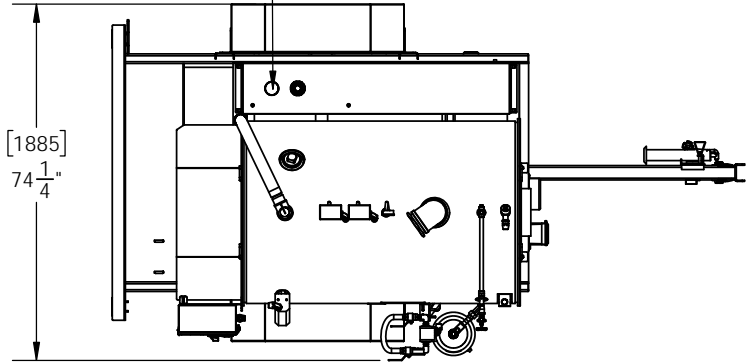
4		
APPLICABLE MACHINES		
MODEL	APPROX. DRY WEIGHT	
	LB	KG
SF-20 SINGLE AXLE TRAILER	2367	1074

3

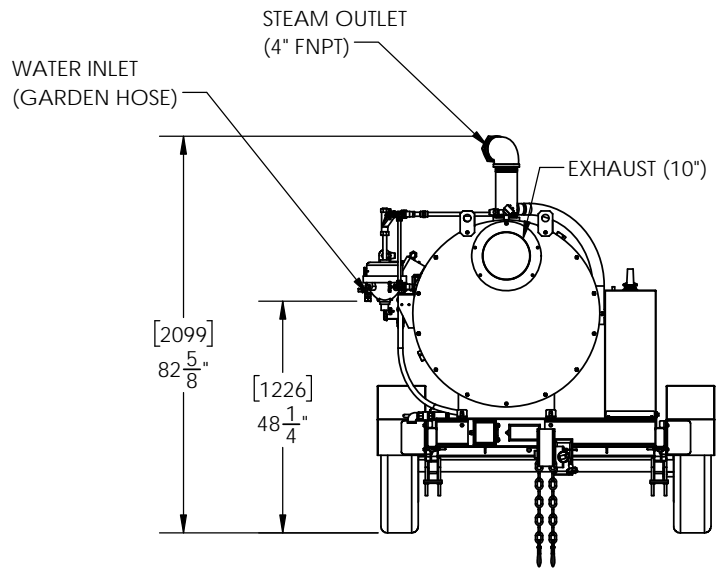
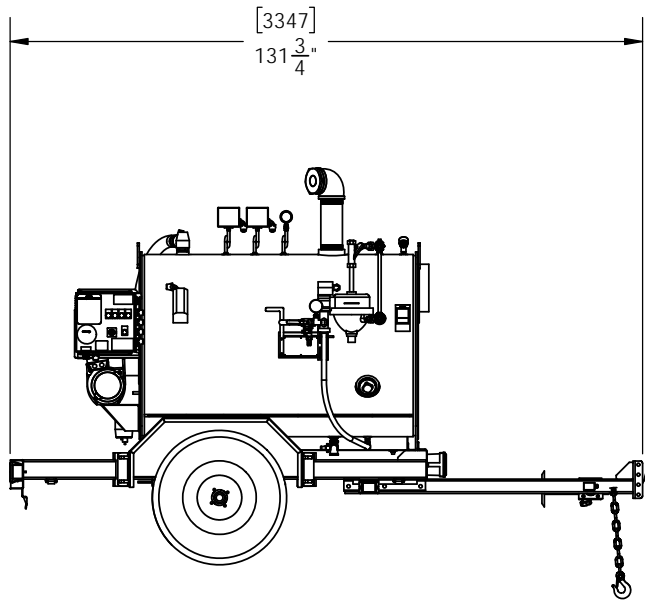
2

1

FUEL TANK FILL LOCATION
(65 GALLON)



[3347]
131 3/4"



PROPRIETARY COPYRIGHT AND CONFIDENTIAL
Copyright © 9/16/2020 SIOUX CORPORATION.
The information contained in this drawing is the sole property of Sioux Corp. This information is subject to recall at any time and is not to be used in any way detrimental to Sioux's interests. Any reproduction in part or as a whole without written permission of Sioux Corp is prohibited. Use of material is subject to the terms of website use listed at www.siuox.com

UNLESS NOTED:	DRN LN 9/16/2020
DIMENSIONS [mm] IN	CHK
TOLERANCES	QC
LINEAR: ±[13] 1/2	THIRD-ANGLE PROJECTION
ANGULAR: ±2°	SIZE A

SIOUX CORPORATION
ONE SIOUX PLAZA, BERESFORD, SD 57004

SF20 SINGLE AXLE TRAILER

GA23648

REV A-01

SH 1/1

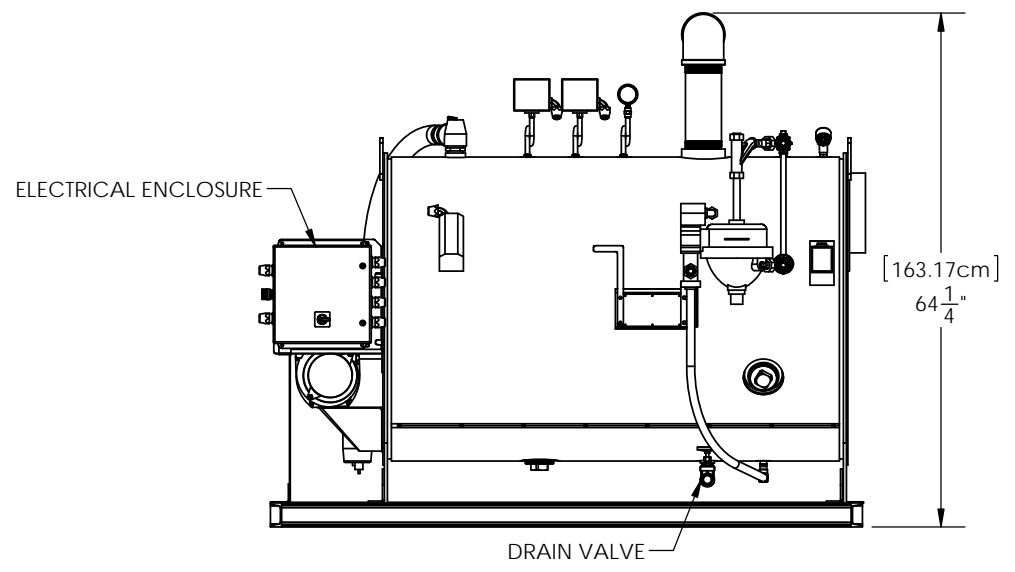
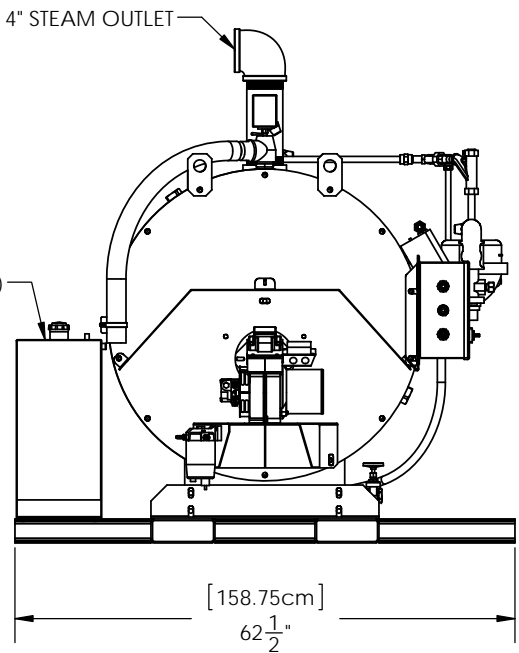
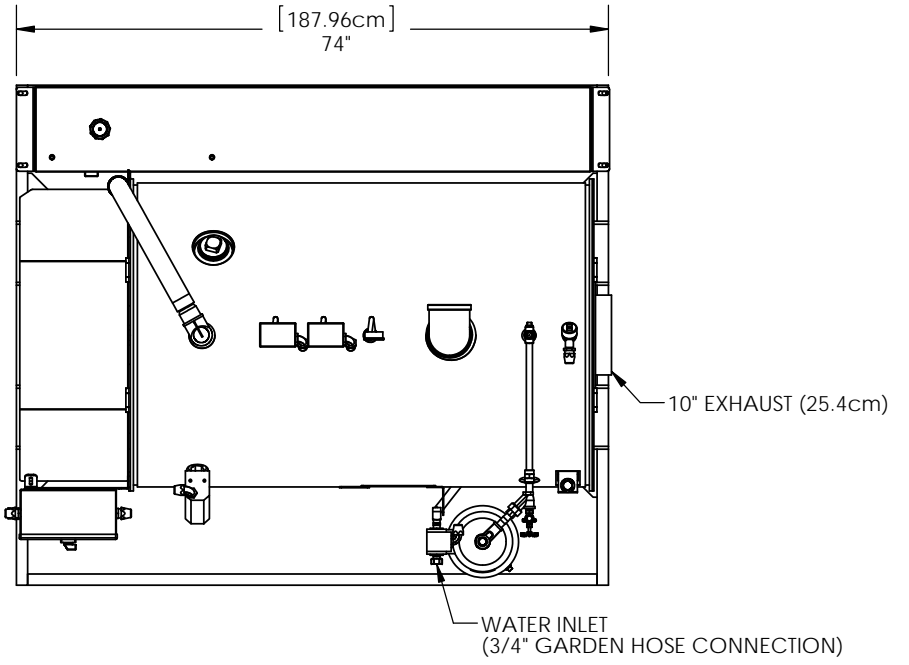
REV.	DESCRIPTION	DATE	BY
4			

3

1

DWG NO GA23648 REV A-01 SHEET 1/1

APPLICABLE MACHINES		
MODEL	APPROX. WEIGHT	
	LB	KG
SF-20 OIL SKID MOUNT	2420	1098



Copyright © 2010 SIOUX CORPORATION. This information is property of Sioux Corporation, is subject to recall at any time, and is not to be used in any way detrimental to Sioux's interest. Use of material is subject to the Terms of Website Use listed on the www.siuox.com website.

PROPRIETARY AND CONFIDENTIAL THE INFORMATION CONTAINED IN THIS DRAWING IS THE SOLE PROPERTY OF SIOUX CORP. ANY REPRODUCTION IN PART OR AS A WHOLE WITHOUT WRITTEN PERMISSION OF SIOUX CORP IS PROHIBITED. DO NOT SCALE DRAWING	UNLESS NOTED: DIMENSIONS INCHES	DRN LC 07-23-14	SIOUX CORPORATION ONE SIOUX PLAZA, BERESFORD, SD 57004 STEAM FLO 20 SKID MOUNTED - OIL FIRED					
	TOLERANCES LINEAR: ± 0.025 [1/16] ANGULAR: $\pm 2^\circ$	CHK OC				THIRD-ANGLE PROJECTION	SIZE A	SCALE 1:24
							REV A-02	1/1

DWG NO. FR20050-W-OIL-SKID REV A-02 SHEET 1/1