

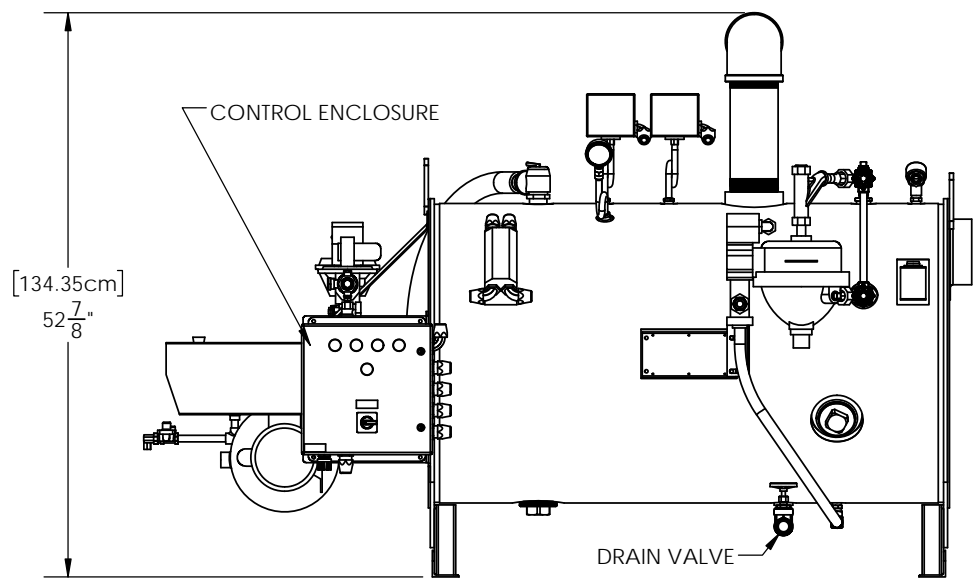
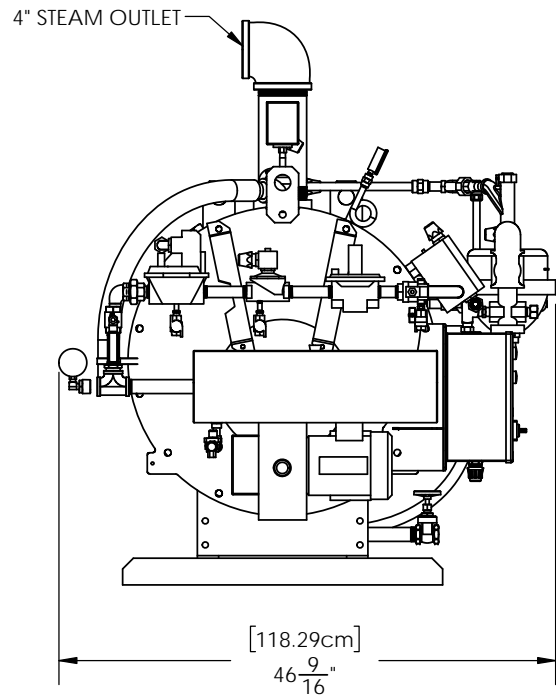
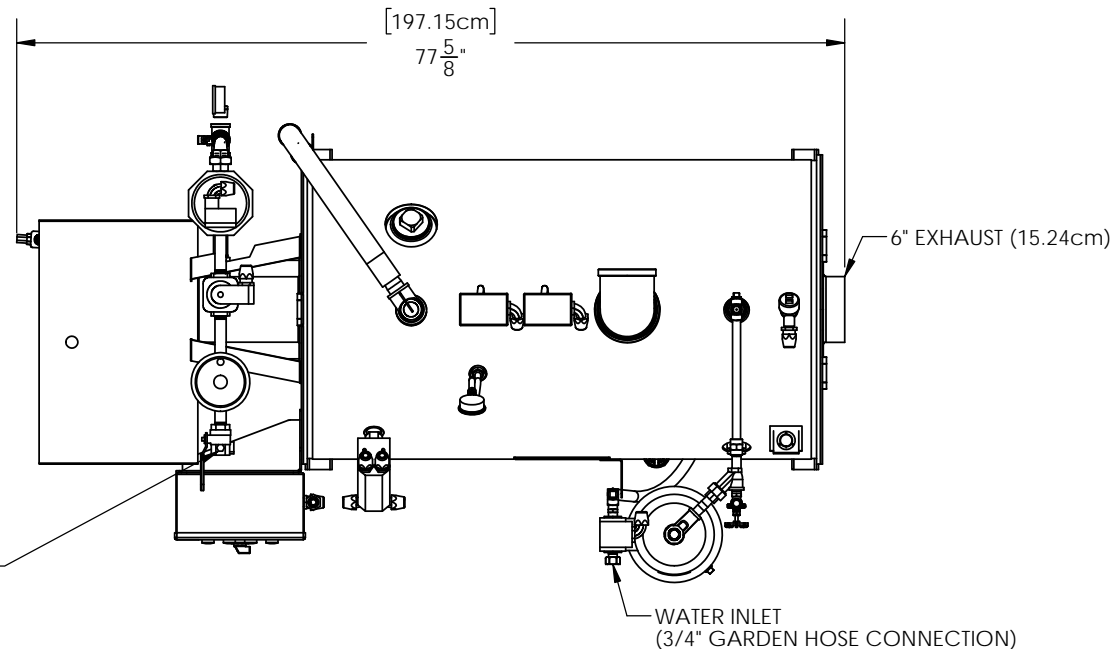
APPLICABLE MACHINES		
MODEL	APPROX. WEIGHT	
	LB	KG
SF-11 GAS LEG MOUNT	1300	590

D  
C  
B  
A

3

2

1



Copyright © 2010 SIOUX CORPORATION. This information is property of Sioux Corporation, is subject to recall at any time, and is not to be used in any way detrimental to Sioux's interest. Use of material is subject to the Terms of Website Use listed on the www.siuox.com website.

<b>PROPRIETARY AND CONFIDENTIAL</b> THE INFORMATION CONTAINED IN THIS DRAWING IS THE SOLE PROPERTY OF SIOUX CORP. ANY REPRODUCTION IN PART OR AS A WHOLE WITHOUT WRITTEN PERMISSION OF SIOUX CORP IS PROHIBITED.  DO NOT SCALE DRAWING	UNLESS NOTED: DIMENSIONS	DRN LC 07-23-14	<b>SIOUX CORPORATION</b> ONE SIOUX PLAZA, BERESFORD, SD 57004		
	<b>INCHES</b>	CHK			STEAM FLO 11 LEG MOUNT - GAS FIRED
	TOLERANCES	OC	THIRD-ANGLE PROJECTION	SIZE A	SCALE 1:18
	LINEAR: ±.0625 [1/16] ANGULAR: ±2°			FILE	FR10102-W-GAS
			FR10102-W-GAS	REV A-02	1/1

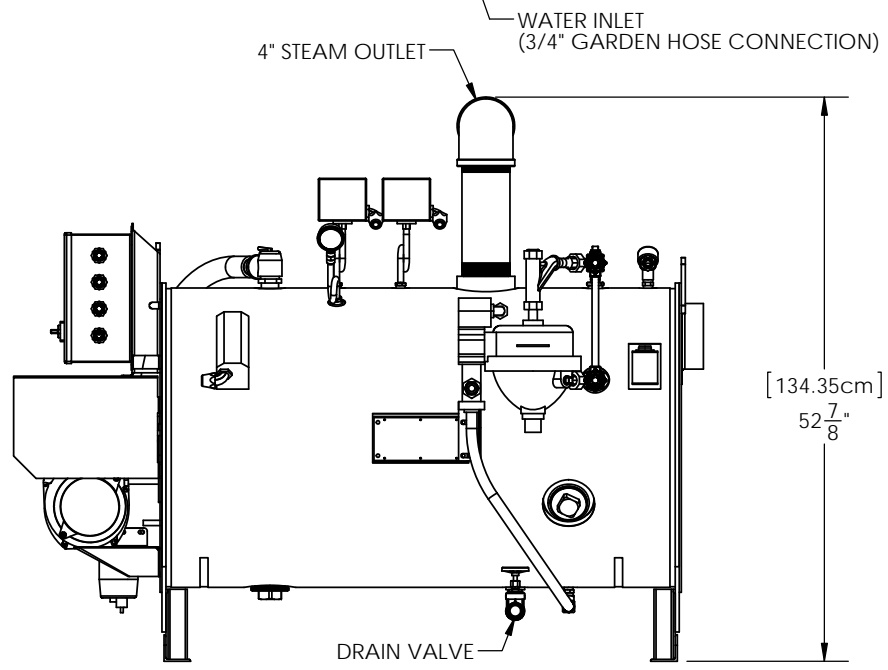
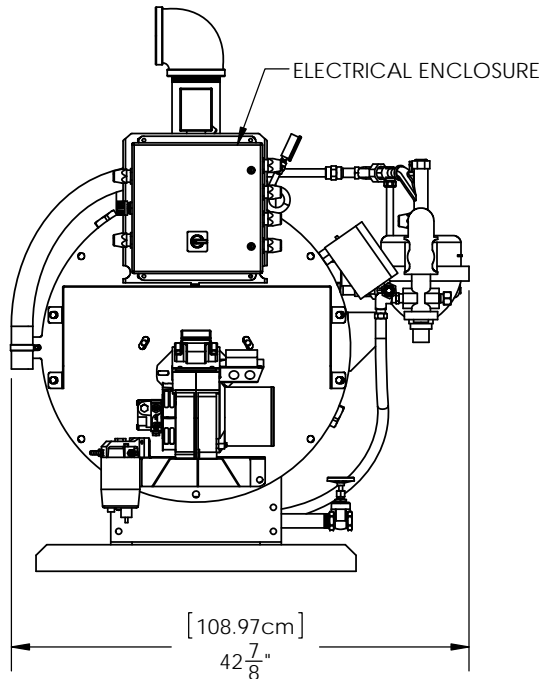
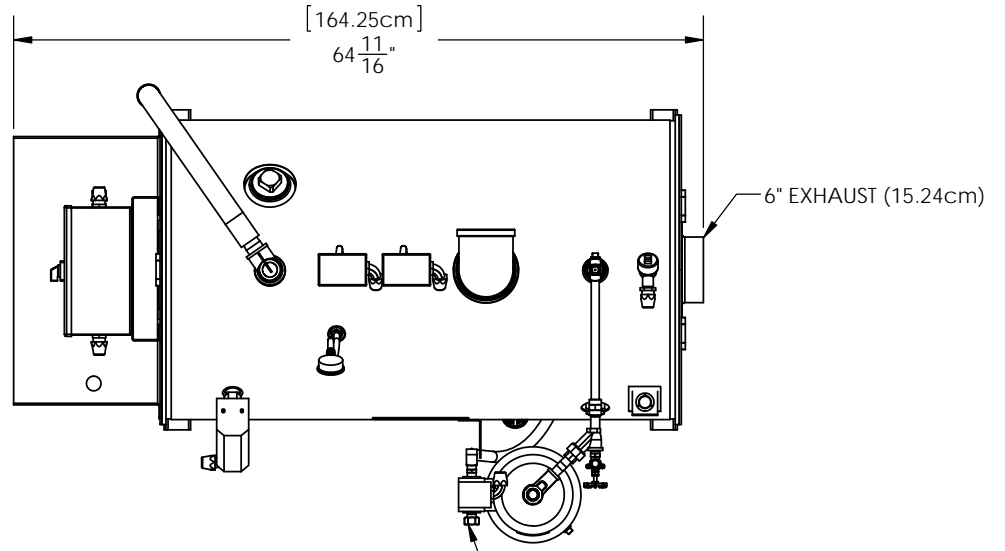
DWG NO. FR10102-W-GAS REV A-02 SHEET 1/1

4

3

1

APPLICABLE MACHINES		
MODEL	APPROX. WEIGHT	
	LB	KG
SF-11 OIL LEG MOUNT	1212	550



Copyright © 2010 SIOUX CORPORATION. This information is property of Sioux Corporation, is subject to recall at any time, and is not to be used in any way detrimental to Sioux's interest. Use of material is subject to the Terms of Website Use listed on the www.siuox.com website.

**PROPRIETARY AND CONFIDENTIAL**  
 THE INFORMATION CONTAINED  
 IN THIS DRAWING IS THE SOLE  
 PROPERTY OF SIOUX CORP.  
 ANY REPRODUCTION IN PART OR  
 AS A WHOLE WITHOUT WRITTEN  
 PERMISSION OF SIOUX CORP  
 IS PROHIBITED.

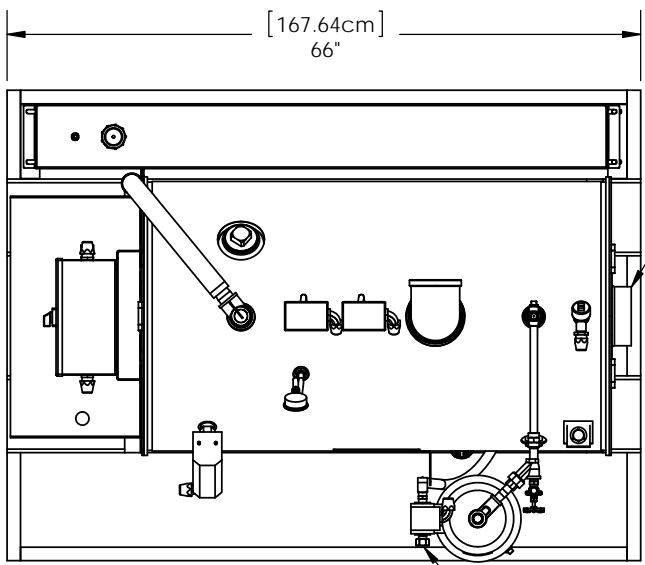
UNLESS NOTED:  
 DIMENSIONS  
**INCHES**  
 TOLERANCES  
 LINEAR: ±.0625  
 [1/16]  
 ANGULAR: ±2°

DRN LC 07-23-14  
 CHK  
 OC  
 THIRD-ANGLE PROJECTION

<b>SIOUX CORPORATION</b> ONE SIOUX PLAZA, BERESFORD, SD 57004			
STEAM FLO 11 LEG MOUNTED - OIL FIRED			
SIZE A	SCALE 1:18	FILE	FR10102-W-OIL-LEG
FR10102-W-OIL-LEG		REV A-01	SH 1/1

DRAWING NO. FR10102-W-OIL-LEG REV A-01 SHEET 1/1

APPLICABLE MACHINES		
MODEL	APPROX. WEIGHT	
	LB	KG
SF-11 OIL SKID	1504	682



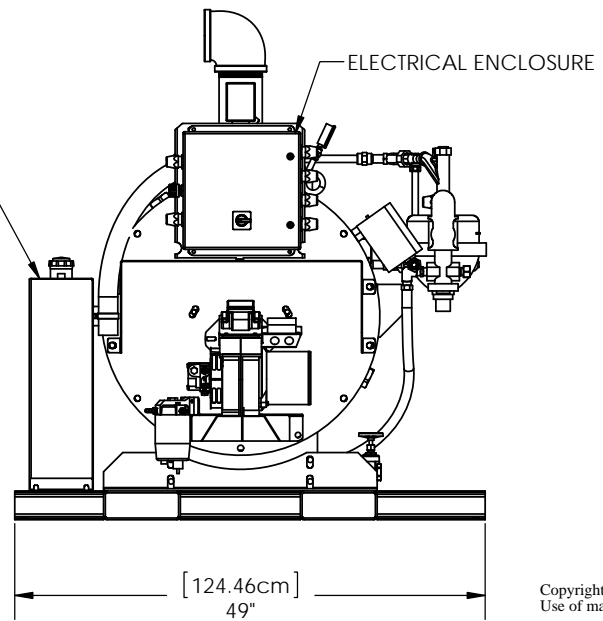
6" EXHAUST (15.24cm)

WATER INLET  
(3/4" GARDEN HOSE CONNECTION)

4" STEAM OUTLET

[134.99cm]  
53 1/8"

DRAIN VALVE



Copyright © 2010 SIOUX CORPORATION. This information is property of Sioux Corporation, is subject to recall at any time, and is not to be used in any way detrimental to Sioux's interest. Use of material is subject to the Terms of Website Use listed on the www.siuox.com website.

<b>PROPRIETARY AND CONFIDENTIAL</b> THE INFORMATION CONTAINED IN THIS DRAWING IS THE SOLE PROPERTY OF SIOUX CORP. ANY REPRODUCTION IN PART OR AS A WHOLE WITHOUT WRITTEN PERMISSION OF SIOUX CORP IS PROHIBITED.  DO NOT SCALE DRAWING	UNLESS NOTED: DIMENSIONS	DRN LC 07-23-14	<b>SIOUX CORPORATION</b> ONE SIOUX PLAZA, BERESFORD, SD 57004		
	INCHES	CHK			
	TOLERANCES	OC	STEAM FLO 11 SKID MOUNT - OIL FIRED		
	LINEAR: ±.0625 [1/16] ANGULAR: ±2°	THIRD-ANGLE PROJECTION	SIZE A	SCALE 1:20	FILE FR10102-W-OIL-SKID
				REV A-01	1/1

DWG NO. FR10102-W-OIL-SKID REV A-01 SHEET 1/1