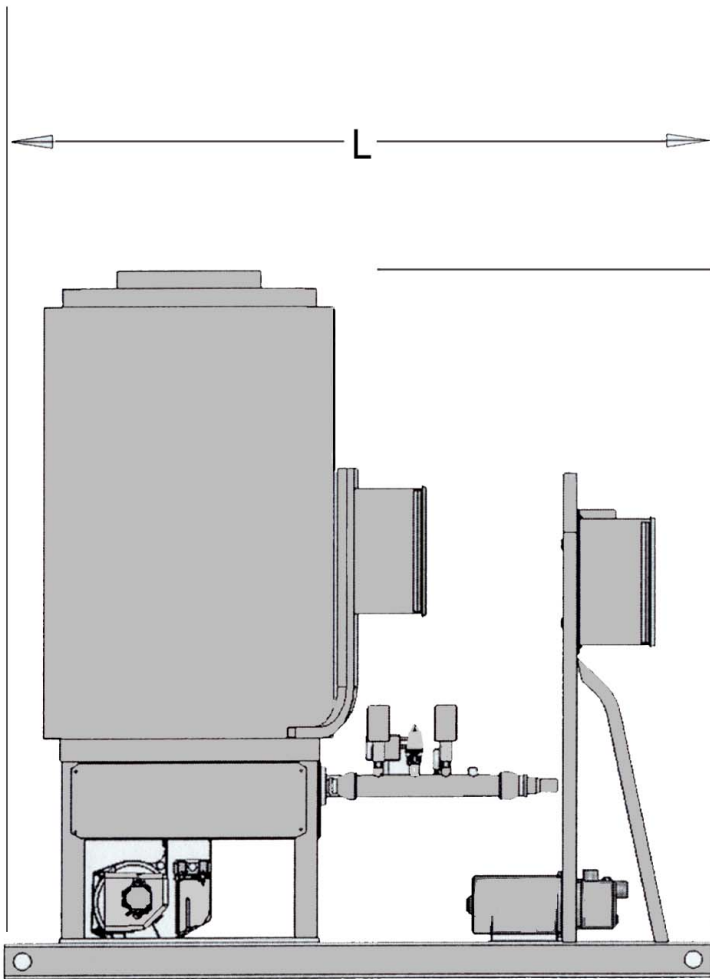
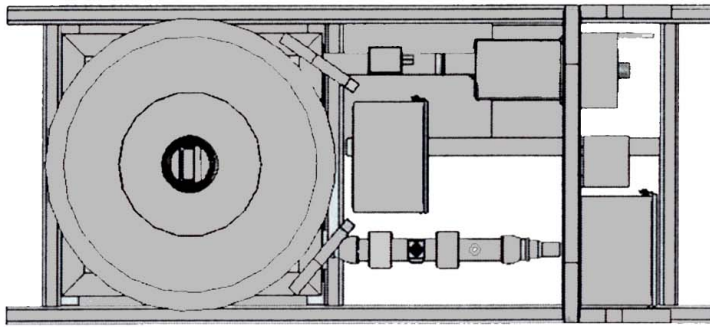
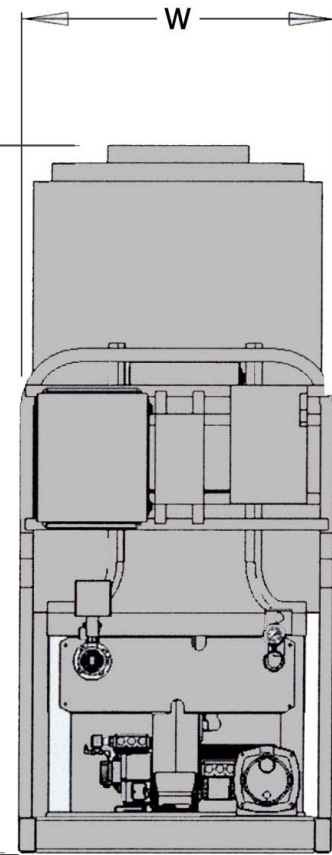


TOP VIEW



FRONT VIEW

Model Number	Approximate Machine Dimensions						Approximate Shipping Dimensions					
	Length		Width		Height		Length		Width		Height	
	In	Cm	In	Cm	In	Cm	In	Cm	In	Cm	In	Cm
D-Series												
D-1000	60	152	37	94	82	208	66	168	43	109	88	224
D-2000	60	152	72	123	82	208	66	168	78	198	88	224
D-3000	60	152	104	264	82	208	66	168	110	279	88	224
M-Series												
M-1 & M-1G	80	152	37	94	82	208	86	218	43	109	88	224
M-2 & M-2G	80	152	72	123	82	208	86	218	78	198	88	224
M-3 & M-3G	80	152	104	264	82	208	86	218	110	279	88	224
HWP Series												
HWP-1	124	315	80	203	80	203	130	330	86	218	86	218
HWP-2	124	315	80	203	80	203	130	330	86	218	86	218
HWP-3	124	315	80	203	80	203	130	330	86	218	86	218
PWP Series												
PWP-1000	93	230	80	203	82	208	99	251	86	218	88	224



SIDE VIEW

These drawings are for general dimensions only. Configuration will vary by model number.